

HOUSINGS

SPLIT HOUSINGS SERIES

TBC Housings Designation Symbols	1.230
SNA 500 & 600/ SNA 200 & 300	1.231
SNA 500	1.232
SNA 600	1.233
SNA 200	1.234
SNA 300	1.235
SNA Sealing Arrangement	1.236
SN 200	1.237
SN 300	1.238
SN 500	1.239
SSN 500	1.241
SN 600	1.242
SD 3100	1.243
CSD 3100	1.244
AF 225 & SAF 226	1.245
SAF 500 & SAF 600	1.246

SOLID HOUSINGS SERIES:

SB 500	1.247
WB 500	1.248
WSB 500	1.249
TVN Series	1.250
SN, SD & Solid Housing Sealing Arrangement	1.251

FLANGE HOUSINGS SERIES:

FC 500 E	1.252
FCM 500	1.253
RFS 500	1.254
CFCN 2220	1.255
TU 500-500	1.256
TH 500	1.257
THM 500	1.258

HOUSINGS

PDN TWO-BEARING HOUSINGS:

d _a 25-90mm	1.259
d _a 95-120mm	1.260

DODGE:

Bearing Units	1.261
---------------------	-------

PLAIN BEARING UNITS:

Light & Heavy Series	1.268
----------------------------	-------

COOPER SPLIT SERIES:

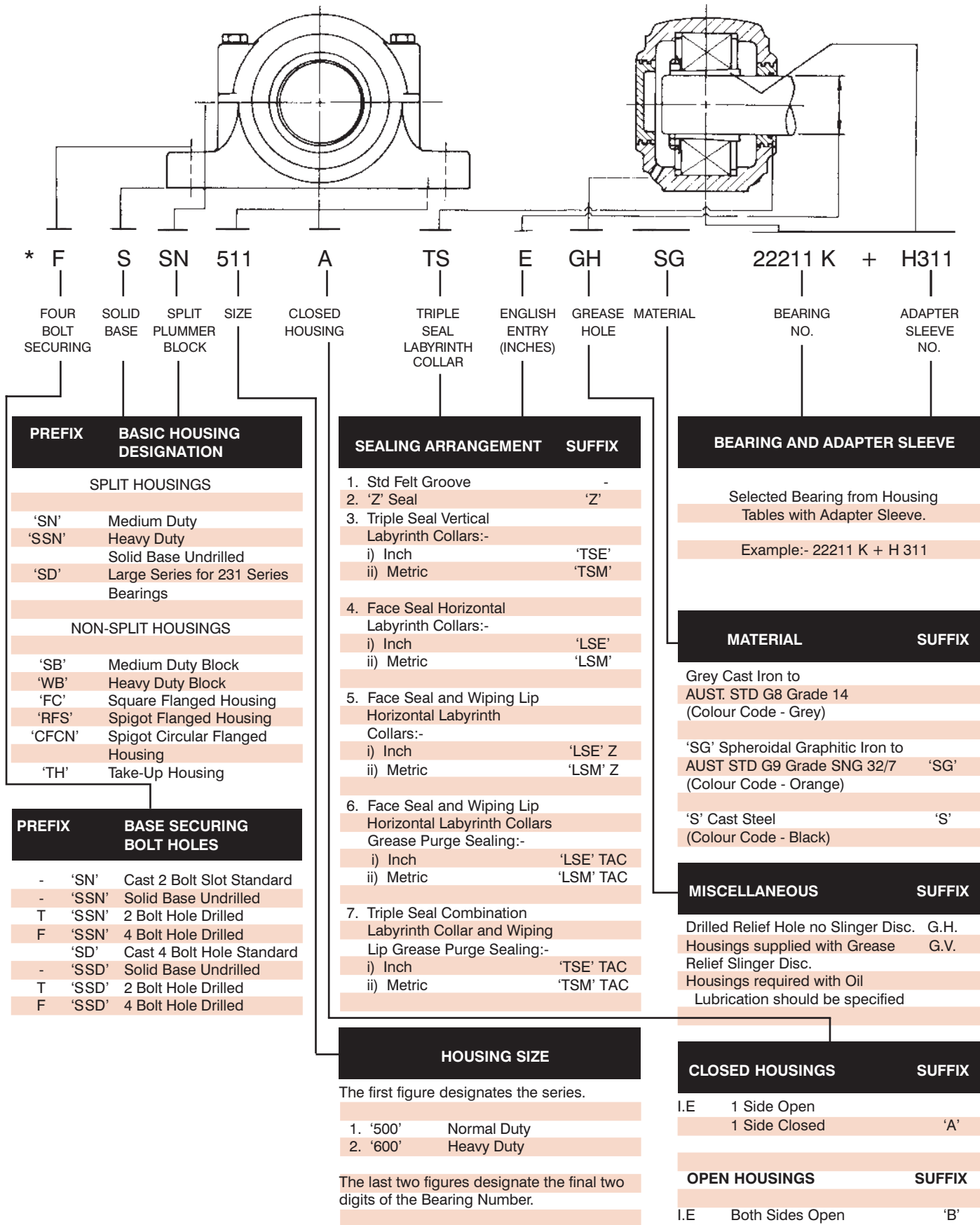
Housing - Splits

Pedestal Units	1.273
Flange Units	1.277
Hanger Units	1.278
Rod End	1.279
Seals	1.281
22 Series	1.282

BSC State Office NSW (02) 9824 2100 VIC (03) 9560 3222 QLD (07) 3866 8300
Phone Numbers: SA (08) 8349 8388 TAS (03) 6272 4344 WA (08) 9337 3000

HOUSINGS

Designation Symbols: TBC Housings



* THIS SEQUENCE OF DESIGNATING SHOULD BE FOLLOWED WHEN ORDERING T.B.C. TRANSMISSION HOUSINGS.

SNA - SSNA 500/600 SERIES CBC/TBC & SKF SERIES CHANGE TO BSC PART NUMBERS

SKF PART NUMBER	CBC/TBC PART NUMBER	BSC PART NUMBER
TSNH511S	2 - 511TS Triple Labyrinth	511TSE/511TSM
ASNH511/609	1 - 511/619ATA Blanking Plate	1 - 511/619ATA Blanking Plate
TSNH511G - KIT	2 - 511U	1 - TSNA511G
TSNH611G	2 - 611U	1 - TSNA611G
TSNH511A - KIT	2 - 511TA/2-VA50	1 - TSNA511A
TSNH611A	2 - 611TA/2-VA50	1 - TSNA611A
ASNH511A	1 - SNA511/609	1 - SNA511/609
↑	1 - 511TA Plate	1 - TSNA511A
CLOSED TYPE	1 - VA50 V-Ring Blanking Plate	1 - 511/609ATA Blanking Plate
SNH511TA	1 - SNA511/609 2 - 511TA Plate	1 - SNA511/609 1 - TSNA511A
OPEN TYPE	2 - VA50 V-Ring	
ASNH511G	1 - SNA511/609	1 - SNA511/609
↑	1 - 511U	1 - TSNA511G
CLOSED TYPE	1 - 511/609ATA Blanking Plate	1 - 511/609ATA Blanking Plate
SNH511TG	1 - SNA511/609 2 - 511U	1 - SNA511/609 1 - TSNA511G
OPEN TYPE		

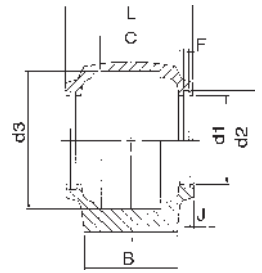
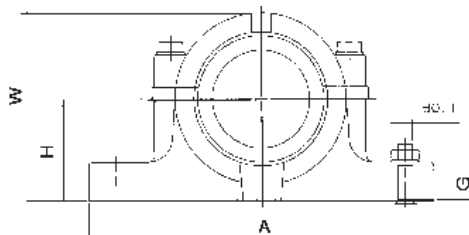
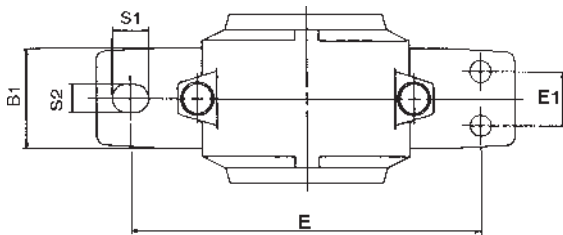
SKF PART NUMBER	CBC/TBC PART NUMBER	BSC PART NUMBER
SNHD511ATS	1 - SNA511/609/SG 1 - 511TS Triple Labyrinth	1 - SNA511/609/SG 1 - 511TSE/511TSM
↑	↑	
SG Iron Closed Type	1 - 511/609ATA Blanking Labyrinth	1 - 511/609ATA Blanking Labyrinth
SNH511TS	1 - SNA511/609 2 - 511TS Triple Labyrinth	1 - SNA511/609 2 - 511TS Triple Labyrinth
OPEN TYPE		
SNH511ATST	1 - SNA511/609 1 - 511TAC Tac Carrier	1 - SNA511/609 1 - 511TACM Metric OR - 511TACE Imperial
↑		
A=CLOSED B=OPEN	1 - 511TS Labyrinth 1 - VA50 V-Ring	1 - 511/609ATA Blanking Plate
	1 - 511/609ATA Blanking Plate	
SSNHD511BTST	1 - SSNA511/609/SG 2 - 511TAC	1 - SSNA511/609/SG 1 - 511TACE Imperial OR - 511TACM Metric
SG IRON OPEN TYPE	2 - 511TS 2 - VA50	
TST=TACTONITE		

NOTE: In the case of metric shaft sizes, the "M" may not be specified in the part number.

Eg. SNA511/609TACMA = SNA511/609TACA.

SUFFIX LEGEND:

TA	TA PLATE & V-RING
TG	SPLIT U-LOK SEAL
TS	LABYRINTH SEAL
TST	V-RING TACTONITE SEAL
TC	SPLIT FELT SEAL - N/A



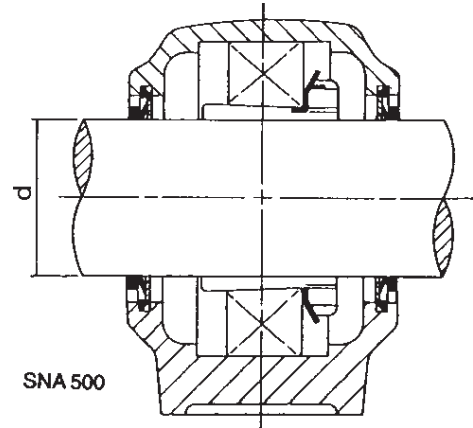
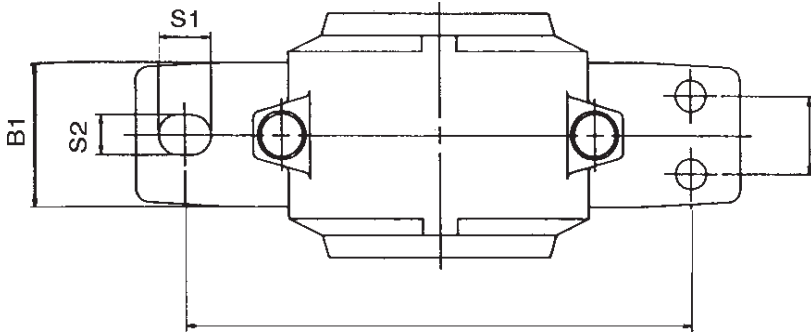
Housing No.	H	A	E	B	B1	S1	S2	G	W	L	d1	d2	J	F	C	d3	Bolt Dia. 2 B. 4 B	E1	
SNA505	40	165	130	46	42	20	13	19	71	67	31.5	39.5	7.5	5	25	52	M10		
SNA506-605	50	185	150	52	45	22	13	22	87	77	36.5	44.5	7.5	5	32	62	M10		
SNA507-606	50	185	150	52	45	20	13	22	92	82	46.5	54.5	7.5	5	34	72	M10		
SNA508-607	60	205	170	60	50	20	15	25	106	85	51.5	59.5	7.5	5	39	80	M12		
SNA509	60	205	170	60	50	20	15	25	109	85	56.5	64.5	8.5	5	30	85	M12		
SNA510-608	60	205	170	60	50	20	15	25	112	90	62	70.5	8.5	5	41	90	M12		
SNA511-609	70	255	210	70	58	23	18	28	127	95	67	75.5	8.5	5	44	100	M16	M12	35
SNA512-610	70	255	210	70	60	23	18	30	133	105	72	80.5	8.5	5	48	110	M16	M12	35
SNA513-611	80	275	230	80	65	24	18	30	148	110	77	85.5	8.5	5	51	120	M16	M12	35
SNA515-612	80	280	230	80	65	26	18	30	154	115	87	95.5	8.5	5	56	130	M16	M12	40
SNA516-613	95	315	260	90	75	29	22	32	175	120	92.5	101	10.5	5	58	140	M20	M12	40
SNA517	95	320	260	90	75	30	22	32	181	125	97.5	106	10.5	5	61	150	M20	M12	50
SNA518-615	100	345	290	100	85	27	22	35	192	140	102.5	111	10.5	5	65	160	M20	M16	50
SNA519-616	112	345	290	100	85	27	22	35	209	145	131	141	11.5	6	68	170	M20	M16	50
SNA520-617	112	380	320	110	95	32	26	40	215	160	137.5	147.5	11.5	6	70	180	M24	M16	60
SNA522-619	125	410	350	120	100	32	26	45	239	175	147.5	157.5	11.5	6	80	200	M24	M16	70
SNA524-620	140	410	350	120	100	32	26	45	271	185	157.5	167.5	11.5	6	86	215	M24	M16	70
SNA526	150	445	380	130	110	35	28	50	290	190	167.5	177.5	13	6	90	230	M24	M20	70
SNA528	150	500	420	150	130	42	35	50	302	205	177.5	187.5	13	6	98	250	M30	M24	80
SNA530	160	530	450	160	140	42	35	60	323	220	192.5	202.5	13.5	6	106	270	M30	M24	90
SNA532	170	550	470	160	140	42	35	60	344	235	202.5	212.5	13.5	6	114	290	M30	M24	90

The above housings are applicable to both adapter mountings SNA500-SNA600 using K type taper bore bearings and SNA200-SNA300 using parallel bore bearings.

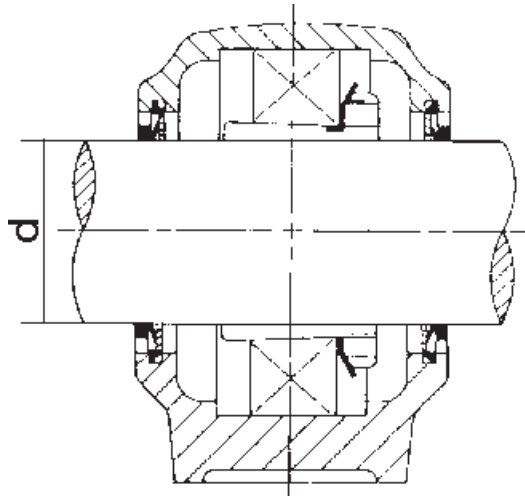
For SNA200/SNA300 adapter sleeve is not required. Standard housings are available in cast iron. SG Iron and steel housings to order.

HOUSINGS

Split Housings: Series SNA 500

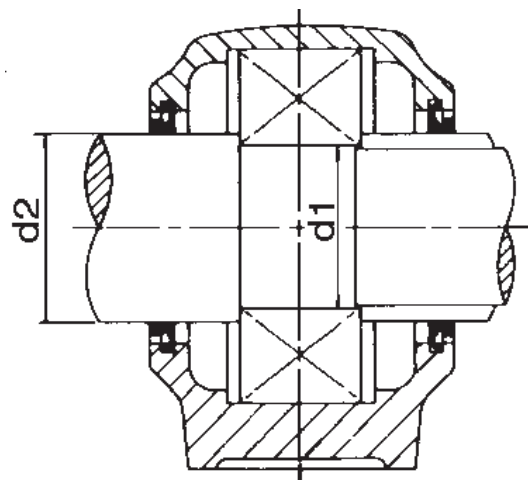


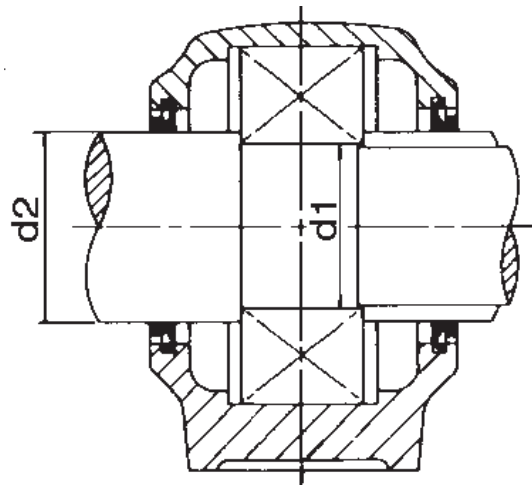
Shaft mm	Shaft inches	Housing	Bearing	Adapter		Spacer Ring (SR)	Qty	Sealing Arrangements				
				mm	inches			TA	ATA	TAC	TS	U
20	3/4	SNA505	1205K	H205	HE205	SR52 x 5	2	505TA	505ATA			505U
25	1	SNA506/605	1206K	H206	HE206	SR62 x 8	2	506TA	506ATA			506U
30	1-1/8	SNA507/606	1207K	H207	HE207	SR72 x 8.5	2	507TA	507ATA			507U
			22207K	H307	HE307	SR72 x 5.5	2	507TA	507ATA			507U
35	1-1/4	SNA508/607	1208K	H208	HE208	SR80 x 10.5	2	508TA	508ATA			508U
			22208K	H308	HE308	SR80 x 8	2	508TA	508ATA			508U
40	1-1/2	SNA509	1209K	H209	HE209	SR85 x 5.5	2	509TA	509ATA	509TAC	509TS	509U
			22209K	H309	HE309	SR85 x 7	1	509TA	509ATA	509TAC	509TS	509U
45	1-3/4	SNA510/608	1210K	H210	HE210	SR90 x 10.5	2	510TA	510ATA	510TAC	510TS	510U
			22210K	H310	HE310	SR90 x 9	2	510TA	510ATA	510TAC	510TS	510U
50	2	SNA511/609	1211K	H211	HE211	SR100 x 11.5	2	511TA	511ATA	511TAC	511TS	511U
			22211K	H311	HE311	SR100 x 9.5	2	511TA	511ATA	511TAC	511TS	511U
55	2-1/8	SNA512/610	1212K	H212	HE212	SR110 x 13	2	512TA	512ATA	512TAC	512TS	512U
			22212K	H312	HE312	SR110 x 10	2	512TA	512ATA	512TAC	512TS	512U
60	2-1/4	SNA513/611	1213K	H213	HE213	SR120 x 14	2	513TA	513ATA	513TAC	513TS	513U
			22213K	H313	HE313	SR120 x 10	2	513TA	513ATA	513TAC	513TS	513U
65	2-1/2	SNA515/612	1215K	H215	HE215	SR130 x 15.5	2	515TA	515ATA	515TAC	515TS	515U
			22215K	H315	HE315	SR130 x 12.5	2	515TA	515ATA	515TAC	515TS	515U
70	2-3/4	SNA516/613	1216K	H216	HE216	SR140 x 16	2	516TA	516ATA	516TAC	516TS	516U
			22216K	H316	HE316	SR140 x 12.5	2	516TA	516ATA	516TAC	516TS	516U
75	3	SNA517	1217K	H217	HE217	SR150 x 16.5	2	517TA	517ATA	517TAC	517TS	517U
			22217K	H317	HE317	SR150 x 12.5	2	517TA	517ATA	517TAC	517TS	517U
80	3-1/4	SNA518/615	1218K	H218	HE218	SR160 x 17.5	2	518TA	518ATA	518TAC	518TS	518U
			22218K	H318	HE318	SR160 x 12.5	2	518TA	518ATA	518TAC	518TS	518U
			23218K	H2318	HE2318	SR160 x 12.5	1	518TA	518ATA	518TAC	518TS	518U
85		SNA519/616	1219K	H219		SR170 x 18	2	519TA	519ATA	519TAC	519TS	519U
			22219K	H319		SR170 x 12.5	2	519TA	519ATA	519TAC	519TS	519U
90	3-1/2	SNA520/617	1220K	H220	HE220	SR180 x 18	2	520TA	520ATA	520TAC	520TS	520U
			22220K	H320	HE320	SR180 x 12	2	520TA	520ATA	520TAC	520TS	520U
			23220K	H2320	HE2320	SR180 x 9.7	1	520TA	520ATA	520TAC	520TS	520U
100	4	SNA522/619	1222K	H222	HE222	SR200 x 21	2	522TA	522ATA	522TAC	522TS	522U
			22222K	H322	HE322	SR200 x 13.5	2	522TA	522ATA	522TAC	522TS	522U
			23222K	H2322	HE2322	SR200 x 10.2	1	522TA	522ATA	522TAC	522TS	522U
110	4-1/4	SNA524/620	22224K	H3124	HE3124	SR215 x 14	2	524TA	524ATA	524TAC	524TS	524U
			23224K	H2324	HE2324	SR215 x 10	1	524TA	524ATA	524TAC	524TS	524U
115	4-1/2	SNA526	22226K	H3126	HE3126	SR230 x 13	2	526TA	526ATA	526TAC	526TS	526U
			23226K	H2326	HE2326	SR230 x 10	1	526TA	526ATA	526TAC	526TS	526U
125	5	SNA528	22228K	H3128	HE3128	SR250 x 15	2	528TA	528ATA	528TAC	528TS	528U
			23228K	H2328	HE2328	SR250 x 10	1	528TA	528ATA	528TAC	528TS	528U
135	5-1/4	SNA530	22230K	H3130	HE3130	SR270 x 16.5	2	530TA	530ATA	530TAC	530TS	530U
			23230K	H2330	HE2330	SR270 x 10	1	530TA	530ATA	530TAC	530TS	530U
140	5-1/2	SNA532	22232K	H3132	HE3132	SR290 x 17	2	532TA	532ATA	532TAC	532TS	532U
			23232K	H2332	HE2332	SR290 x 10	1	532TA	532ATA	532TAC	532TS	532U



Shaft mm	Shaft inches	Housing	Bearing	Adapter		Spacer Ring (SR)	Qty	Sealing Arrangements				
				mm	inches			TA	ATA	TAC	TS	U
20	3/4	SNA506/605	1305K	H305	HE305	62 x 7.5	2	605TA	605ATA			605U
			2305K	H2305	HE2305	62 x 8	1	605TA	605ATA			605U
25	1	SNA507/606	1306K	H306	HE306	70 x 7.5	2	606TA	606ATA			606U
			2306K	H2306	HE2306	72 x 7	1	606TA	606ATA			606U
30	1-1/8	SNA508/607	1307K	H307	HE307	80 x 9	2	607TA	607ATA			607U
			2307K	H2307	HE2307	80 x 8	1	607TA	607ATA			607U
35	1-1/4	SNA510/608	1308K	H308	HE308	90 x 9	2	608TA	608ATA			608U
			2308K	H2308	HE2308	90 x 8	1	608TA	608ATA			608U
			21308K	H308	HE308	90 x 9	2	608TA	608ATA			608U
			22308K	H2308	HE2308	90 x 8	1	608TA	608ATA			608U
40	1-1/2	SNA511/609	1309K	H309	HE309	100 x 9.5	2	609TA	609ATA	609TAC	609TS	609U
			2309K	H2309	HE2309	100 x 8	1	609TA	609ATA	609TAC	609TS	609U
			21309K	H309	HE309	100 x 9.5	2	609TA	609ATA	609TAC	609TS	609U
			22309K	H2309	HE2309	100 x 8	1	609TA	609ATA	609TAC	609TC	609U
45	1-3/4	SNA512/610	1310K	H310	HE310	110 x 10.5	2	610TA	610ATA	610TAC	610TS	610U
			2310K	H2310	HE2310	110 x 8	1	610TA	610ATA	610TAC	610TS	610U
			21310K	H310	HE310	110 x 10.5	2	610TA	610ATA	610TAC	610TS	610U
			22310K	H2310	HE2310	110 x 8	1	610TA	610ATA	610TAC	610TS	610U
50	2	SNA513/611	1311K	H311	HE311	120 x 11	2	611TA	611ATA	611TAC	611TS	611U
			2311K	H2311	HE2311	120 x 8	1	611TA	611ATA	611TAC	611TS	611U
			21311K	H311	HE311	120 x 11	2	611TA	611ATA	611TAC	611TS	611U
			22311K	H2311	HE2311	120 x 8	1	611TA	611ATA	611TAC	611TS	611U
55	2-1/8	SNA515/612	1312K	H312	HE312	130 x 12.5	2	612TA	612ATA	612TAC	612TS	612U
			2312K	H2312	HE2312	130 x 10	1	612TA	612ATA	612TAC	612TS	612U
			21312K	H312	HE312	130 x 12.5	2	612TA	612ATA	612TAC	612TS	612U
			22312K	H2312	HE2312	130 x 10	1	612TA	612ATA	612TAC	612TS	612U
60	2-1/4	SNA516/613	1313K	H313	HE313	140 x 12.5	2	613TA	613ATA	613TAC	613TS	613U
			2313K	H2313	HE2313	140 x 10	1	613TA	613ATA	613TAC	613TS	613U
			21313K	H313	HE313	140 x 12.5	2	613TA	613ATA	613TAC	613TS	613U
			22313K	H2313	HE2313	140 x 10	1	613TA	613ATA	613TAC	613TS	613U
65	2-1/2	SNA518/615	1315K	H315	HE315	160 x 14	2	615TA	615ATA	615TAC	615TS	615U
			2315K	H2315	HE2315	160 x 10	1	615TA	615ATA	615TAC	615TS	615U
			21315K	H315	HE315	160 x 14	2	615TA	615ATA	615TAC	615TS	615U
			22315K	H2315	HE2315	160 x 10	1	615TA	615ATA	615TAC	615TS	615U
70	2-3/4	SNA519/616	1316K	H316	HE316	170 x 14.5	2	616TA	616ATA	616TAC	616TS	616U
			2316K	H2316	HE2316	170 x 10	1	616TA	616ATA	616TAC	616TS	616U
			21316K	H316	HE316	170 x 14.5	2	616TA	616ATA	616TAC	616TS	616U
			22316K	H2316	HE2316	170 x 10	1	616TA	616ATA	616TAC	616TS	616U
75	3	SNA520/617	1317K	H317	HE317	180 x 14.5	2	617TA	617ATA	617TAC	617TS	617U
			2317K	H2317	HE2317	180 x 10	1	617TA	617ATA	617TAC	617TS	617U
			21317K	H317	HE317	180 x 14.5	2	617TA	617ATA	617TAC	617TS	617U
			22317K	H2317	HE2317	180 x 10	1	617TA	617ATA	617TAC	617TS	617U
85		SNA522/619	22319K	H2319		200 x 13	1	619TA	619ATA	619TAC	619TS	619U
90	3-1/2	SNA524/620	22320K	H2320	HE2320	215 x 13	1	620TA	620ATA	620TAC	620TS	620U

Shaft \varnothing d1	Housing \varnothing d2	Bearing	Spacer Ring (SR)	Qty	Basic Housing	Sealing Arrange.		
						TA*	TC**	
25	30	SNA205	1205	52 x 5	2	505	205TA	205TC
			2205	52 x 7	1			
			22205	52 x 7	1			
30	35	SNA206	1206	62 x 8	2	506-605	206TA	206TC
			2206	62 x 6	2			
			22206	62 x 6	2			
35	45	SNA207	1207	72 x 8.5	2	507-606	207TA	207TC
			2207	72 x 5.5	2			
			22207	72 x 5.5	2			
40	50	SNA208	1208	80 x 10.5	2	508-607	208TA	208TC
			2208	80 x 8	2			
			22208	80 x 8	2			
45	55	SNA209	1209	85 x 5.5	2	509	209TA	209TC
			2209	85 x 7	1			
			22209	85 x 7	1			
50	60	SNA210	1210	90 x 10.5	2	510-608	210TA	210TC
			2210	90 x 9	2			
			22210	90 x 9	2			
55	65	SNA211	1211	100 x 11.5	2	511-609	211TA	211TC
			2211	100 x 9.5	2			
			22211	100 x 9.5	2			
60	70	SNA212	1212	110 x 13	2	512-610	212TA	212TC
			2212	110 x 10	2			
			22212	110 x 10	2			
65	75	SNA213	1213	120 x 14	2	513-611	213TA	213TC
			2213	120 x 10	2			
			22213	120 x 10	2			
75	85	SNA215	1215	130 x 15.5	2	515-612	215TA	215TC
			2215	130 x 12.5	2			
			22215	130 x 12.5	2			
80	90	SNA216	1216	140 x 16	2	516-613	216TA	216TC
			2216	140 x 12.5	2			
			22216	140 x 12.5	2			
85	95	SNA217	1217	150 x 16.5	2	517	217TA	217TC
			2217	150 x 12.5	2			
			22217	150 x 12.5	2			
90	100	SNA218	1218	160 x 17.5	2	518-615	218TA	218TC
			2218	160 x 12.5	2			
			22218	160 x 12.5	2			
			23218	160 x 12.5	1			
95	105	SNA219	1219	170 x 18	2	519-616	219TA	
			2219	170 x 12.5	2			
			22219	170 x 12.5	2			
100	115	SNA220	1220	180 x 18	2	520-617	220TA	
			2220	180 x 12	2			
			22220	180 x 12	2			
			23220	180 x 9.7	1			
110	125	SNA222	1222	200 x 21	2	522-619	222TA	
			2222	200 x 13.5	2			
			22222	200 x 13.5	2			
			23222	200 x 10.2	1			
120	135	SNA224	22224	215 x 14	2	524-620	224TA	
			23224	215 x 10	2			
130	145	SNA226	22226	230 x 13	2	526	226TA	
			23226	230 x 10	1			
140	155	SNA228	22228	250 x 15	2	528	228TA	
			23228	250 x 10	1			
150	165	SNA230	2230	270 x 16.5	2	530	230TA	
			23230	270 x 10	1			
160	175	SNA232	22232	290 x 17	2	532	232TA	
			23232	290 x 10	1			

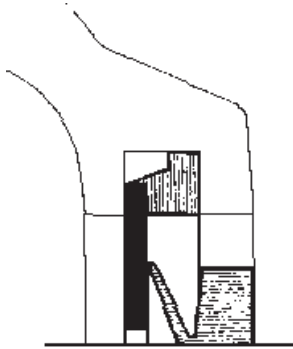




Shaft d1	ø d2	Housing	Bearing	Spacer Ring (SR)	Qty	Basic Housing	Sealing Arr. TA*
40	50	SNA308	1308	90 x 9	2	510-608	308TA
			2308	90 x 8	1		
			21308	90 x 9	2		
			22308	90 x 8	1		
45	55	SNA309	1209	100 x 9.5	2	511-609	309TA
			2309	100 x 8	1		
			21309	100 x 9.5	2		
			22309	100 x 8	1		
50	60	SNA310	1310	110 x 10.5	2	512-610	310TA
			2310	110 x 8	1		
			21310	110 x 10.5	2		
			22310	110 x 8	1		
55	65	SNA311	1311	120 x 11	2	513-611	311TA
			2311	120 x 8	1		
			21311	120 x 11	2		
			22311	120 x 8	1		
60	70	SNA312	1312	130 x 12.5	2	515-612	312TA
			2312	130 x 10	1		
			21212	130 x 12.5	2		
			22312	130 x 10	1		
65	75	SNA313	1313	140 x 12.5	2	516-613	313TA
			2313	140 x 10	1		
			21313	140 x 12.5	2		
			22313	140 x 10	1		
70	80	SNA314	1314	150 x 13	2	517	314TA
			2314	150 x 10	1		
			21314	150 x 13	2		
			22314	150 x 10	1		
75	85	SNA315	1315	160 x 14	2	518-615	315TA
			2315	160 x 10	1		
			21315	160 x 14	2		
			22315	160 x 10	1		
80	90	SNA316	1316	170 x 14.5	2	519-616	316TA
			2316	170 x 10	1		
			21316	170 x 14.5	2		
			22316	170 x 10	1		
85	95	SNA317	1317	180 x 14.5	2	520-617	317TA
			2317	180 x 10	1		
			21317	180 x 14.5	2		
			22317	180 x 10	1		
95	110	SNA319	1319	200 x 17.5	2	522-619	319TA
			2319	200 x 13	1		
			21319	200 x 17.5	2		
			22319	200 x 13	1		
100	115	SNA320	1320	215 x 19.5	2	524-620	320TA
			2320	215 x 13	1		
			21320	215 x 19.5	2		
			22320	215 x 13	1		

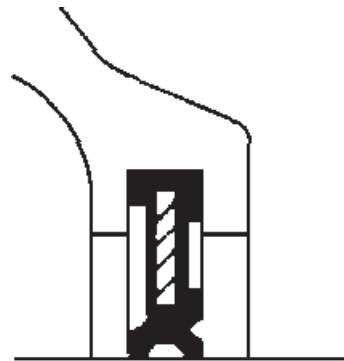
Adapter Mounting (Taper Bore Bearings) SNA 505 - SNA 532 SNA 605 - SNA 620

V Ring Seal - TA "STANDARD" SEAL



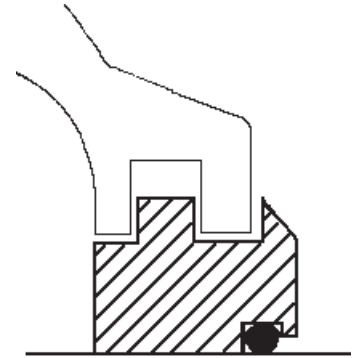
- Suits both Metric & Imperial shafts
- Does not wear shaft
- Max Temperature = 110 °C
- Speed = Low to High

U-Lok Seal - U SPLIT LIP SEAL



- Only available for Metric shafts
- Split construction, easy to fit
- Requires good shaft finish
- Lubricate between lips on assembly
- Max Temperature = 110 °C
- Speed = Low to High

Labyrinth Seal - TS HIGH SPEED SEAL



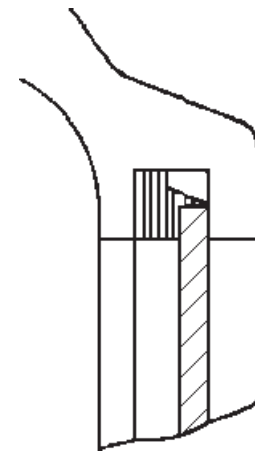
- Not recommended for low speed or wet applications
- Gives maximum speed capacity
- Gives maximum temperature capacity
- Must be lubricated on assembly

Taconite Seal - TAC THE ULTIMATE SEAL



- Best seal in all applications
- Maximum temperature = 110 °C
- Speed = Low to High

Closing Plate - ATA

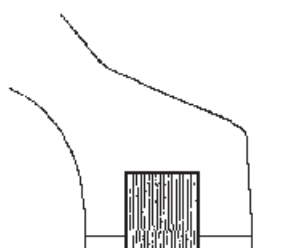


Cylindrical Bore Mounting SNA 205 - SNA 218

V Ring Seal - TA

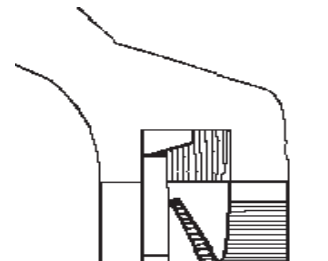


Felt Seal - TC



Cylindrical Bore Mounting SNA 219 - SNA 232 SNA 308 - SNA 320

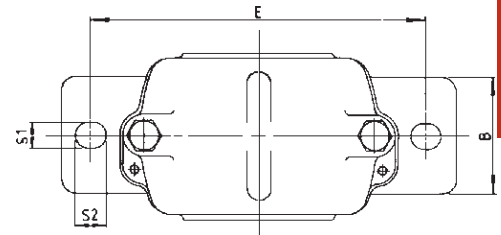
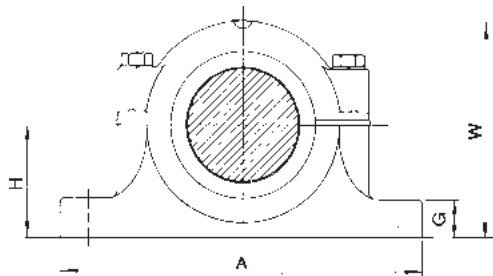
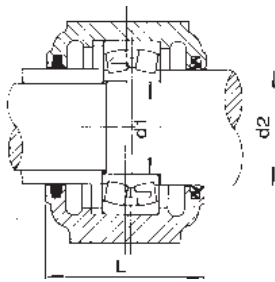
V Ring Seal - TA



Note: Refer to Table on page 1.231 for Seal part number examples.

HOUSINGS

Split Housings: Series SN 200

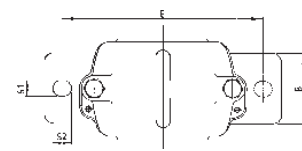
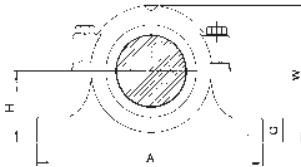
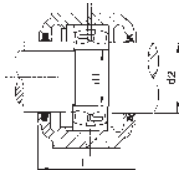


Unit No.	Shaft Dia.		Dimensions (mm)									Bolt Dia. 2 Bolt	Bearing No.		Spacer Ring		Wt SN2 Kg.
	d1	d2	H	A	E	B	S1	S2	G	W	L		Self Al. Ball B.	Spher. Roll. B.	No. (SR)	Qty	
SN205	25	30	40	165	130	46	15	20	22	75	67	M12	1205 2205	52 x 5 52 x 7	2 1	1.1	
SN206	30	35	50	185	150	52	15	20	22	90	77	M12	1206 2206	22205 62 x 7 62 x 10 62 x 10	1 2 1 1	1.6	
SN207	35	45	50	185	150	52	15	20	22	95	82	M12	1207 2207	22206 72 x 8 72 x 10 72 x 10	1 2 1 1	1.9	
SN208	40	50	60	205	170	60	15	20	25	110	85	M12	1208 2208	22207 80 x 7.5 80 x 10 80 x 10	1 2 1 1	2.6	
SN209	45	55	60	205	170	60	15	20	25	112	85	M12	1209 2209	22208 85 x 6 85 x 8 85 x 8	2 1 1 1	2.8	
SN210	50	60	60	205	170	60	15	20	25	115	90	M12	1210 2210	22209 90 x 6.5 90 x 10 90 x 10	2 1 1 1	3.0	
SN211	55	65	70	255	210	70	18	23	28	130	95	M16	1211 2211	22210 100 x 6 100 x 8 100 x 8	2 1 1 1	4.0	
SN212	60	70	70	255	210	70	18	23	30	135	105	M16	1212 2212	22211 110 x 8 110 x 10 110 x 10	2 1 1 1	4.6	
SN213	65	75	80	275	230	80	18	23	30	150	110	M16	1213 2213	22212 120 x 10 120 x 12 120 x 12	2 1 1 1	5.4	
SN215	75	85	80	280	230	80	18	23	30	155	115	M16	1215 2215	22213 130 x 8.2 130 x 10 130 x 10	2 1 1 1	6.7	
SN216	80	90	95	315	260	90	22	27	32	175	120	M20	1216 2216	22215 140 x 8.5 140 x 10 140 x 10	2 1 1 1	8.5	
SN217	85	95	95	320	260	90	22	27	32	185	125	M20	1217 2217	22216 150 x 9.2 150 x 10 150 x 10	2 1 1 1	9.3	
SN218	90	100	100	345	290	100	22	27	35	195	145	M20	1218 2218	22217 160 x 16.2 160 x 11.2 160 x 11.2 160 x 10	2 2 2 1	1.8	
SN220	100	115	112	380	320	110	26	32	40	218	160	M24	1220 2220	22218 180 x 18.1 180 x 12.1 180 x 12.1 180 x 10	2 2 2 1	5.5	
SN222	110	125	125	410	350	120	26	32	45	240	175	M24	1222 2222	23218 200 x 21 200 x 13.5 200 x 10	2 2 2 1	9.8	
SN224	120	135	140	410	350	120	26	32	45	270	185	M24	22222 23222	22224 215 x 14 215 x 10	2 1	22.4	
SN226	130	145	150	445	380	130	28	36	50	290	190	M24	22226 23226	22228 230 x 13 230 x 10	2 1	28.3	
SN228	140	155	150	500	420	150	33	42	50	305	205	M30	22228 23228	22230 250 x 15 250 x 10	2 1	36.0	
SN230	150	165	160	530	450	160	33	42	60	325	220	M30	22230 23230	22232 270 x 16.5 270 x 10	2 1	43.1	
SN232	160	175	170	550	470	160	33	42	60	345	235	M30	22232 23232	22234 290 x 17 290 x 10	2 1	49.6	

Unless specified "B" type open cover supplied. One housing per set should include spacer rings.

HOUSINGS

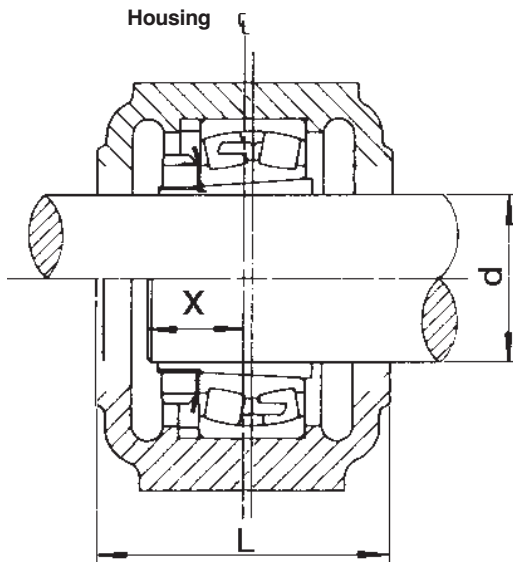
Split Housings: Series SN 300



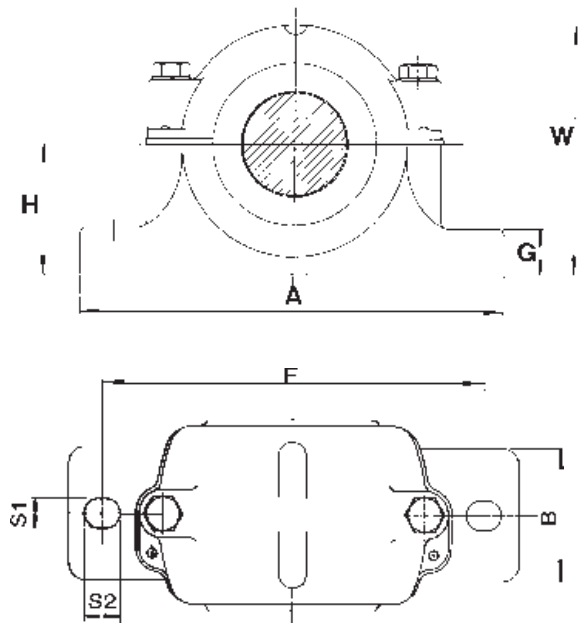
Unit No.	Shaft Dia.		Dimensions (mm)									Bolt Dia. 2 Bolt	Bearing No.		Spacer Ring		Wt SN2 Kg.
	d1	d2	H	A	E	B	S1	S2	G	W	L		Self Al. Ball B.	Spher. Roll. B.	No. (SR)	Qty	
SN305	25	30	50	185	150	52	15	20	22	90	80	M12	1305 2305	62 x 8.5 62 x 10	2 1	1.6	
SN306	30	35	50	185	150	52	15	20	22	95	82	M12	1306 2306	72 x 9 72 x 10	2 1	1.8	
SN307	35	45	60	205	170	60	15	20	25	110	90	M12	1307 2307	80 x 10 80 x 10	2 1	2.6	
SN308	40	50	60	205	170	60	15	20	25	115	95	M12	1308 2308	90 x 10 90 x 10	2 1	2.9	
													21308 22308	90 x 10 90 x 10	2 1		
SN309	45	55	70	255	210	70	18	23	28	130	105	M16	1309 2309	100 x 10.5 100 x 10	2 1	4.1	
													21309 22309	100 x 10.5 100 x 10	2 1		
SN310	50	60	70	255	210	70	18	23	30	135	115	M16	1310 2310	110 x 11.5 110 x 10	2 1	4.7	
													21310 22310	110 x 11.5 110 x 10	2 1		
SN311	55	65	80	275	230	80	18	23	30	150	120	M16	1311 2311	120 x 12 120 x 10	2 1	5.8	
													21311 22311	120 x 12 120 x 10	2 1		
SN312	60	70	80	280	230	80	18	23	30	155	125	M16	1312 2312	130 x 12.5 130 x 10	2 1	6.5	
													21312 22312	130 x 12.5 130 x 10	2 1		
SN313	65	75	95	315	260	90	22	27	32	175	130	M20	1313 2313	140 x 12.5 140 x 10	2 1	8.7	
													21313 22313	140 x 12.5 140 x 10	2 1		
SN315	75	85	100	345	290	100	22	27	35	195	140	M20	1315 2315	160 x 14 160 x 10	2 1	11.3	
													21315 22315	160 x 14 160 x 10	2 1		
SN316	80	90	112	345	290	100	22	27	35	212	145	M20	1316 2316	170 x 14.5 170 x 10	2 1	12.6	
													21316 22316	170 x 24.5 170 x 10	2 1		
SN317	85	95	112	380	320	110	26	32	40	218	155	M24	1317 2317	180 x 14.5 180 x 10	2 1	15.0	
													21317 22317	180 x 14.5 180 x 10	2 1		
SN318	90	100	112	400	320	110	26	35	33	230	160	M24	1318 2318	190 x 15.3 190 x 9.5	2 1	22.0	
													21318 22318	190 x 15.3 190 x 9.5	2 1		
SN319	95	110	125	420	350	120	26	35	36	245	170	M24	1319 2319	200 x 15.8 200 x 9.5	2 1	26.3	
													21319 22319	200 x 15.8 200 x 9.5	2 1		
SN320	100	115	140	420	350	120	26	35	38	280	175	M24	1320 2320	215 x 17.8 215 x 9.5	2 1	31.5	
													21320 22320	215 x 17.8 215 x 9.5	2 1		
SN322	110	125	150	460	390	130	28	38	40	300	190	M24	1322 2322	240 x 19.8 240 x 9.5	2 1	42	
													21322 22322	240 x 19.8 240 x 9.5	2 1		
SN324	120	135	160	540	450	160	33	42	50	325	205	M30	22324	260 x 9.5	1	60.9	
SN326	130	150	170	560	470	160	33	42	50	350	215	M30	22326	280 x 9.5	1	68.2	
SN328	140	160	180	630	520	170	35	45	55	375	235	M30	22328	300 x 9.5	1	94.5	
SN330	150	170	190	680	560	180	35	45	55	395	245	M30	22330	320 x 9.5	1	105.0	
SN332	160	180	200	710	580	190	42	52	60	415	255	M36	22332	340 x 9.5	1	126.0	

Unless specified 'B' type open cover supplied. One housing per set should include spacer rings.

Series SN 500



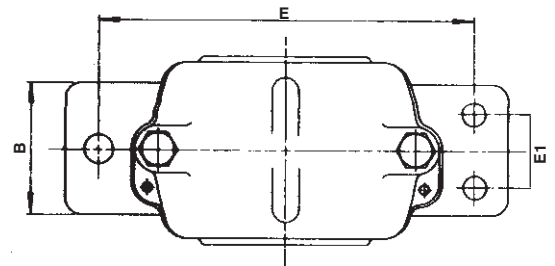
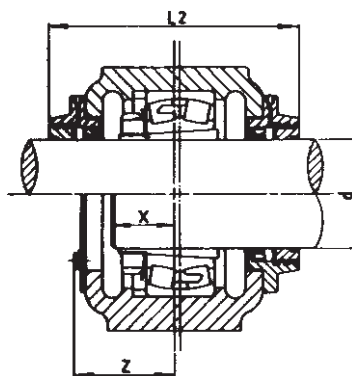
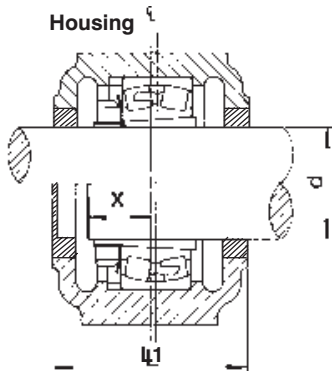
Felt Seal Standard on SN Housings



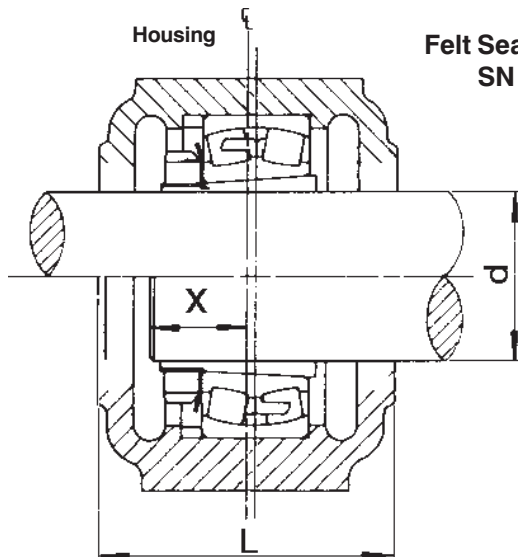
Series SSN 500 (Solid Base)

Labyrinth 'TS' Seal Standard on SSN Housings.

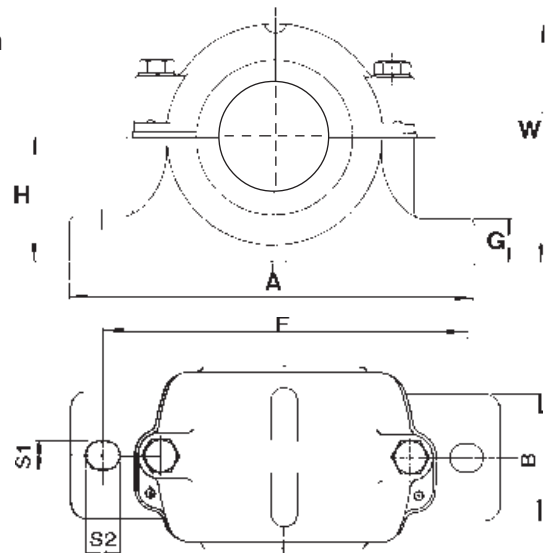
TS Taconite Seal Available Against Order; Specify 2 or 4 Bolt Holes. Base can also be supplied blank if required.



Series SN 600 (Available on Special Order Only)



Felt Seal Standard on SN Housings



HOUSINGS

Split Housings: Series SN 500 Medium

Unit No.	Shaft Dia. d (in) (mm)	Dimensions (mm)															Bolt Dia. 2 B. 4 B.	Bearing No.		Adapt. Sleeve No.		Spacer Ring		HSG Wt. (Kg.)			
		H	A	E	B	S1	S2	G	W	L	L1	L2	Z	X	E1	Self Al. Ball B.		Spher. Roll. B.	Metric	Inch	No. (SR)	Q	SN	SSN			
SN504	1/2	17	35	150	115	45	12	20	19	70	66	69				16	M10	1204K		H204	HE204	47 x 5	2				
SN505	3/4	20	40	165	130	46	15	20	22	75	67	70				17	M12 M8	1205K 2205K		H205 H305	HE205 HE305	52 x 5 52 x 7	2 1	1.1			
																		22205K		H305	HE305	52 x 7	1				
SN506	1	25	50	185	150	52	15	20	22	90	77	80				18	M12 M10	1206K 2206K		H206 H306	HS206 HS306	62 x 7 62 x 10	2 1	1.6			
																		22206K		H306	HS306	62 x 10	1				
SN507	1-1/8	30	50	185	150	52	15	20	22	95	82	85				21	M12 M10	1207K 2207K		H207 H307	HE207 HE307	72 x 8 72 x 10	2 1	1.9			
																		22207K		H307	HE307	72 x 10	1				
SN508	1-1/4	35	60	205	170	60	15	20	25	110	85	90				22	M12 M10	1208K 2208K		H208 H308	HE208 HE308	80 x 7.5 80 x 10	2 1	2.6			
																		22208K		H308	HE308	80 x 10	1				
SN509	1-1/2	40	60	205	170	60	15	20	25	112	85	90	148	48	23	30	M12 M10	1209K 2209K		H209 H309	HE209 HE309	85 x 6 85 x 8	2 1	2.8	4.2		
																		22209K		H309	HE309	85 x 8	1				
SN510	1-3/4	45	60	205	170	60	15	20	25	115	90	95	154	50	24	30	M12 M10	1210K 2210K		H210 H310	HE210 HE310	90 x 6.5 90 x 10	2 1	3	4.5		
																		22210K		H310	HE310	90 x 10	1				
SN511	2	50	70	255	210	70	18	23	28	130	95	100	160	54	25	35	M16 M12	1211K 2211K		H211 H311	HE211 HE311	100 x 6 100 x 8	2 1	4	6.5		
																		22211K		H311	HE311	100 x 8	1				
SN512	2-1/8	55	70	255	210	70	18	23	30	135	105	110	172	62	27	35	M16 M12	1212K 2212K		H212 H312	HE212 HE312	110 x 8 110 x 10	2 1	4.6	7.2		
																		22212K		H312	HE312	110 x 10	1				
SN513	2-1/4	60	80	275	230	80	18	23	30	150	110	115	172	62	30	40	M16 M12	1213K 2213K		H213 H313	HE213 HE313	120 x 10 120 x 12	2 1	5.4	8.0		
																		22213K		H313	HE313	120 x 12	1				
SN515	2-1/2	65	80	280	230	80	18	23	30	155	115	120	182	68	31	40	M16 M12	1215K 2215K		H215 H315	HE215 HE315	130 x 8 130 x 10	2 1	6.7	9		
																		22215K		H315	HE315	130 x 10	1				
SN516	2-3/4	70	95	315	260	90	22	27	32	175	120	125	184	68	34	50	M20 M12	1216K 2216K		H216 H316	HE216 HE316	140 x 8.5 140 x 10	2 1	8.5	13		
																		22216K		H316	HE316	140 x 10	1				
SN517	3	75	95	320	260	90	22	27	32	185	125	130	184	70	36	50	M20 M12	1217K 2217K		H217 H317	HE217 HE317	150 x 9 150 x 10	2 1	9.3	14		
																		22217K		H317	HE317	150 x 10	1				
SN518	3-1/4	80	100	345	290	100	22	27	35	195	145	150	204	81	45	50	M20 M16	1218K 2218K		H218 H318	HE218 HE318	160 x 16.2 160 x 11.2	2 2	11.8	18		
																		22218K		H318	HE318	160 x 11.2	2				
																		23218K		H2318	HE2318	160 x 10	1				
SN520	3-1/2	90	112	380	320	110	26	32	40	218	160	165	224	90	51	60	M24 M16	1220K 2220K		H220 H320	HE220 HE320	180 x 8.1 180 x 12.1	2 2	15.5	24		
																		22220K		H320	HE320	180 x 12.1	2				
																		23220K		H2320	HE2320	180 x 10	1				
SN522	4	100	125	410	350	120	26	32	45	240	175	180	232	92	56	70	M24 M16	1222K 2222K		H222 H322	HE222 HE322	200 x 21 200 x 13.5	2 2	19.8	28		
																		22222K		H322	HE322	200 x 13.5	2				
																		23222K		H2322	HE2322	200 x 10	1				
SN524	4-1/4	110	140	410	350	120	26	32	45	270	185	190	248	95	60	70	M24 M16	22224K 23224K		H3124 H2324	HE3124 HE2324	215 x 14 215 x 10	2 1	22.4	34		
SN526	4-1/2	115	150	445	380	130	28	36	50	290	190	195	268	100	63	70	M24 M20	22226K 23226K		H3126 H2326	HE3126 HE2326	230 x 13 230 x 10	2 1	28.3	42		
SN528	5	125	150	500	420	150	33	42	50	305	205	210	286	108	68	80	M30 M24	22228K 23228K		H3128 H2328	HE3128 HE2328	250 x 15 250 x 10	2 1	36	52		
SN530	5-1/4	135	160	530	450	160	33	42	60	325	220	225	304	113	74	90	M30 M24	22230K 23230K		H3130 H2330	HE3130 HE2330	270 x 16.5 270 x 10	2 1	43.1	60		
SN532	5-1/2	140	170	550	470	160	33	42	60	345	235	240	320	122	80	90	M30 M24	22232K 23232K		H3132 H2332	HE3132 HE2332	290 x 17 290 x 10	2 1	49.6	72		

Unless specified "B" type open housings supplied. One housing per set should include spacer rings.

HOUSINGS

Split Housings: Series SSN 500 Medium Duty

Unit No.	Shaft Dia. d (in) (mm)	Dimensions (mm)															Bolt Dia. 2 B. 4 B.		Bearing No. Self Al. Spher. Ball B. Roll. B.		Adapt. Sleeve No. Metric Inch		Spacer Ring No. Q SN SSN		HSG Wt. (Kg.)	
		H	A	E	B	S1	S2	G	W	L	L1	L2	Z	X	E1											
SSN509	1-1/2	40	60	205	170	60	15	20	25	112	85	90	148	48	23	30	M12	M10	1209K		H209	HE209	85 x 6	2	2.8	4.2
																			2209K		H309	HE309	85 x 8	1		
																				22209K	H309	HE309	85 x 8	1		
SSN510	1-3/4	45	60	205	170	60	15	20	25	115	90	95	154	50	24	30	M12	M10	1210K		H210	HE210	90 x 6.5	2	3	4.5
																			2210K		H310	HE310	90 x 10	1		
																				22210K	H310	HE310	90 x 10	1		
SSN511	2	50	70	255	210	70	18	23	28	130	95	100	160	54	25	35	M16	M12	1211K		H211	HE211	100 x 6	2	4	6.5
																			2211K		H311	HE311	100 x 8	1		
																				22211K	H311	HE311	100 x 8	1		
SSN512	2-1/8	55	70	255	210	70	18	23	30	135	105	110	172	62	27	35	M16	M12	1212K		H212	HE212	110 x 8	2	4.6	7.2
																			2212K		H312	HE312	110 x 10	1		
																				22212K	H312	HE312	110 x 10	1		
SSN513	2-1/4	60	80	275	230	80	18	23	30	150	110	115	172	62	30	40	M16	M12	1213K		H213	HE213	120 x 10	2	5.4	8.0
																			2213K		H313	HE313	120 x 12	1		
																				22213K	H313	HE313	120 x 12	1		
SSN515	2-1/2	65	80	280	230	80	18	23	30	155	115	120	182	68	31	40	M16	M12	1215K		H215	HE215	130 x 8	2	6.7	9
																			2215K		H315	HE315	130 x 10	1		
																				22215K	H315	HE315	130 x 10	1		
SSN516	2-3/4	70	95	315	260	90	22	27	32	175	120	125	184	68	34	50	M20	M12	1216K		H216	HE216	140 x 8.5	2	8.5	13
																			2216K		H316	HE316	140 x 10	1		
																				22216K	H316	HE316	140 x 10	1		
SSN517	3	75	95	320	260	90	22	27	32	185	125	130	184	70	36	50	M20	M12	1217K		H217	HE217	150 x 9	2	9.3	14
																			2217K		H317	HE317	150 x 10	1		
																				22217K	H317	HE317	150 x 10	1		
SSN518	3-1/4	80	100	345	290	100	22	27	35	195	145	150	204	81	45	50	M20	M16	1218K		H218	HE218	160 x 16.2	2	11.8	18
																			2218K		H318	HE318	160 x 11.2	2		
																				22218K	H318	HE318	160 x 11.2	2		
SSN520	3-1/2	90	112	380	320	110	26	32	40	218	160	165	224	90	51	60	M24	M16	1220K		H220	HE220	180 x 8.1	2	15.5	24
																			2220K		H320	HE320	180 x 12.1	2		
																				22220K	H320	HE320	180 x 12.1	2		
SSN522	4	100	125	410	350	120	26	32	45	240	175	180	232	92	56	70	M24	M16	1222K		H222	HE222	200 x 21	2	19.8	28
																			2222K		H322	HE322	200 x 13.5	2		
																				22222K	H322	HE322	200 x 13.5	2		
SSN524	4-1/4	110	140	410	350	120	26	32	45	270	185	190	248	95	60	70	M24	M16	22224K		H3124	HE3124	215 x 14	2	22.4	34
																			23224K		H2324	HE2324	215 x 10	1		
																				22226K	H3126	HE3126	230 x 13	2		
SSN526	4-1/2	115	150	445	380	130	28	36	50	290	190	195	268	100	63	70	M24	M20	22226K		H3126	HE3126	230 x 10	1	28.3	42
																			23226K		H2326	HE2326	230 x 10	1		
																				22228K	H3128	HE3128	250 x 15	2		
SSN528	5	125	150	500	420	150	33	42	50	305	205	210	286	108	68	80	M30	M24	23228K		H2328	HE2328	250 x 10	1	36	52
																			22228K		H3128	HE3128	250 x 15	2		
																				23228K	H2328	HE2328	250 x 10	1		
SSN530	5-1/4	135	160	530	450	160	33	42	60	325	220	225	304	113	74	90	M30	M24	22230K		H3130	HE3130	270 x 16.5	2	43.1	60
																			23230K		H2330	HE2330	270 x 10	1		
																				22232K	H3132	HE3132	290 x 17	2		
SSN532	5-1/2	140	170	550	470	160	33	42	60	345	235	240	320	122	80	90	M30	M24	22232K		H2332	HE2332	290 x 10	1	49.6	72
																			23232K		H332	HE332	290 x 10	1		

Unless specified "B" type open housings supplied.
One housing per set should include spacer rings.

HOUSINGS

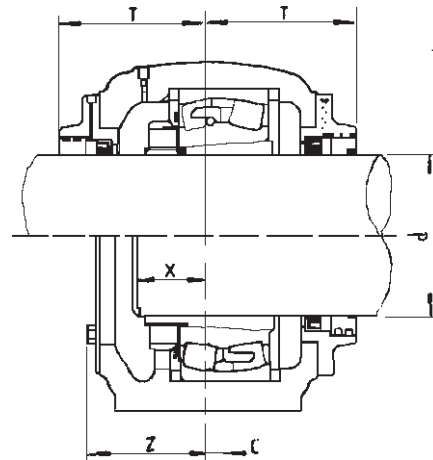
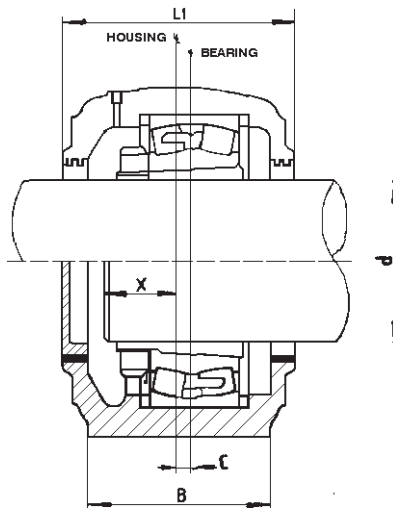
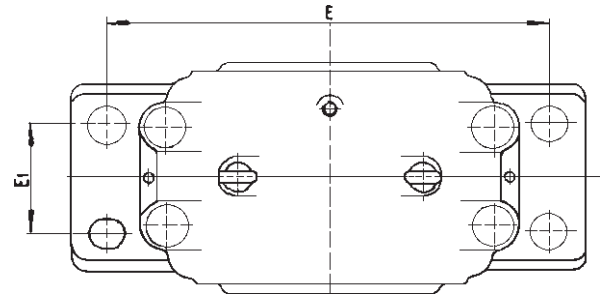
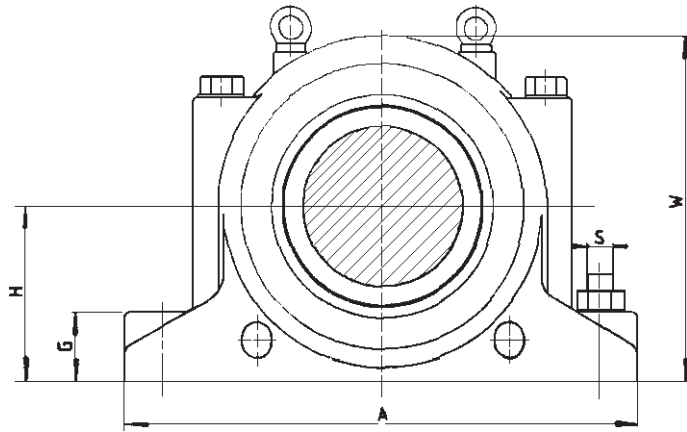
Split Housings: Series SN 600 Heavy Duty

Unit No.	Shaft Dia. d (in) (mm)	Dimensions (mm)														Bolt Dia.		Bearing No.		Adapt. Sleeve No.		Spacer Ring No. Q (SR)	Wt. (Kg.) SN6
		H	A	E	B	S1	S2	G	W	L	L1	X	E1	2 B.	4 B.	Ball	Roller	Metric	Inch				
SN605	3/4	20	50	185	150	52	15	20	22	90	80	83	27	25	M12	M10	1305K 2305K		H305 H2305	HE305 HE2305	62 x 8.5 62 x 10	2 1	1.6
SN606	1	25	50	185	150	52	15	20	22	95	82	85	27	25	M12	M10	1306K 2306K		H306 H2306	HE306 HE2306	72 x 9 72 x 10	2 1	1.8
SN607	1-1/8	30	60	205	170	60	15	20	25	110	90	93	32	30	M12	M10	1307K 2307K		H307 H2307	HS307 HS2307	80 x 10 80 x 10	2 1	2.6
SN608	1-1/4	35	60	205	170	60	15	20	25	115	95	100	34	30	M12	M10	1308K 2308K		H308 H2308	HE308 HE2308	90 x 10 90 x 10	2 1	2.9
																	21308K 22308K		H308 H2308	HE308 HE2308	90 x 10 90 x 10	2 1	
SN609	1-1/2	40	70	255	210	70	18	23	28	130	105	110	36	35	M16	M12	1309K 2309K 21309K 22309K		H309 H2309 H309 H2309	HE309 HE2309 HE309 HE2309	100 x 10.5 100 x 10 100 x 10.5 100 x 10	2 1 2 1	4.1
SN610	1-3/4	45	70	255	210	70	18	23	30	135	115	120	39	35	M16	M12	1310K 2310K		H310 H2310	HE310 HE2310	110 x 11.5 110 x 10	2 1	4.7
																	21310K 22310K		H310 H2310	HE310 HE2310	110 x 11.5 110 x 10	2 1	
SN611	2	50	80	275	230	80	18	23	30	150	120	125	40	40	M16	M12	1311K 2311K		H311 H2311	HE311 HE2311	120 x 12 120 x 10	2 1	5.8
																	21311K 22311K		H311 H2311	HE311 HE2311	120 x 12 120 x 10	2 1	
SN612	2-1/8	55	80	280	230	80	18	23	30	155	125	130	44	40	M16	M12	1312K 2312K		H312 H2312	HE312 HE2312	130 x 12.5 130 x 10	2 1	6.5
																	21312K 22312K		H312 H2312	HE312 HE2312	130 x 12.5 130 x 10	2 1	
SN613	2-1/4	60	95	315	260	90	22	27	32	175	130	135	46	50	M20	M12	1313K 2313K		H313 H2313	HS313 HS2313	140 x 12.5 140 x 10	2 1	8.7
																	21313K 22313K		H313 H2313	HS313 HS2313	140 x 12.5 140 x 10	2 1	
SN615	2-1/2	65	100	345	290	100	22	27	35	195	140	145	51	50	M20	M16	1315K 2315K		H315 H2315	HE315 HE2315	160 x 14 160 x 10	2 1	11.3
																	21315K 22315K		H315 H2315	HE315 HE2315	160 x 14 160 x 10	2 1	
SN616	2-3/4	70	112	345	290	100	22	27	35	212	145	150	52	50	M20	M16	1316K 2316K		H316 H2316	HE316 HE2316	170 x 14.5 170 x 10	2 1	12.6
																	21316K 22316K		H316 H2316	HE316 HE2316	170 x 24.5 170 x 10	2 1	
SN617	3	75	112	380	320	110	26	32	40	218	155	160	56	60	M24	M16	1317K 2317K		H317 H2317	HE317 HE2317	180 x 14.5 180 x 10	2 1	15.0
																	21317K 22317K		H317 H2317	HE317 HE2317	180 x 14.5 180 x 10	2 1	
SN618	3-1/4	80	112	400	320	110	26	35	33	230	160	165	58	60	M24	M16	1318K 2318K		H318 H2318	HE318 HE2318	190 x 15.3 190 x 9.5	2 1	22
																	21318K 22318K		H318 H2318	HE318 HE2318	190 x 15.3 190 x 9.5	2 1	
SN619		85	125	420	350	120	26	35	36	245	170	175	60	70	M24	M16	1319K 2319K		H319		200 x 15.8 200 x 9.5	2 1	26.3
																	21319K 22319K		H319 H2319		200 x 15.8 200 x 9.5	2 1	
SN620	3-1/2	90	140	420	350	120	26	35	38	280	175	180	64	70	M24	M16	1320K 2320K		H320 H2320	HE320 HE2320	215 x 17.8 215 x 9.5	2 1	31.5
																	21320K 22320K		H320 H2320	HE320 HE2320	215 x 17.8 215 x 9.5	2 1	
SN622	4	100	150	460	390	130	28	38	40	300	190	195	69	70	M24	M16	1322K 2322K		H322 H2322	HE322 HE2322	240 x 19.8 240 x 9.5	2 1	42
																	21322K 22322K		H322 H2322	HE322 HE2322	240 x 19.8 240 x 9.5	2 1	
SN624	4-1/4	110	160	540	450	160	33	42	50	325	205	210	73	90	M30	M20			H2324	HE2324	260 x 9.5	1	60.9
SN626	4-1/2	115	170	560	470	160	33	42	50	350	215	220	77	90	M30	M20			H2326	HE2326	280 x 9.5	1	68.2
SN628	5	125	180	630	520	170	35	45	55	375	235	240	83	90	M30	M20			H2328	HE2328	300 x 9.5	1	94.5
SN630	5-1/4	135	190	680	560	180	35	45	55	395	245	250	88	90	M30	M20			H2330K	HE2330	320 x 9.5	1	105
SN632	5-1/2	140	200	710	580	190	42	52	60	415	255	260	93	100	M36	M24			H2332K	HE2332	340 x 9.5	1	126

Unless specified "B" type open housings supplied.
One housing per set should include spacer rings.

HOUSINGS

Split Housings: Series SD 3100 Heavy Duty



Labyrinth 'TS' Seal
Standard on SD
Housings.
Unless specified 'B'
Type Open Housings
Supplied.

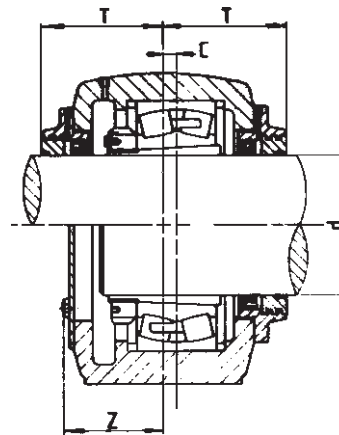
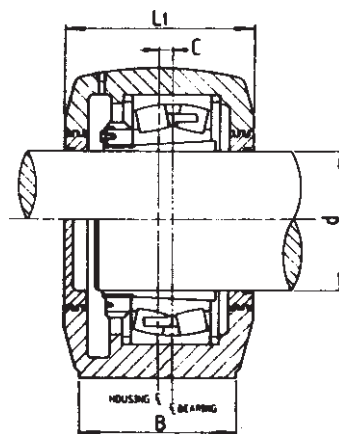
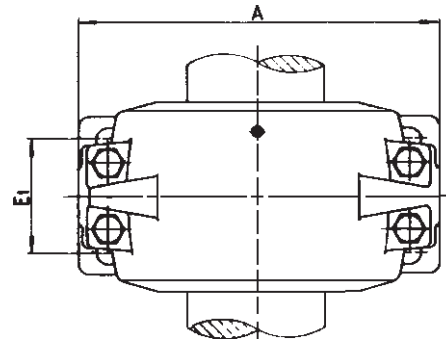
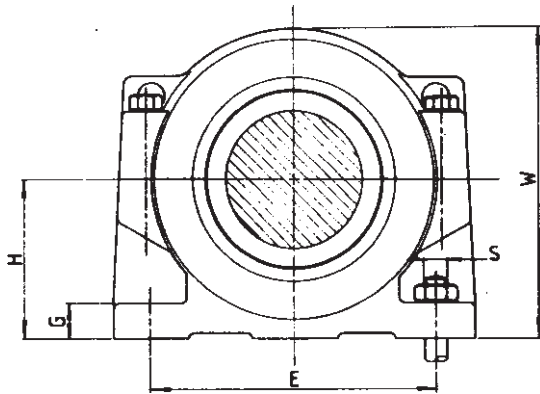
TS Taconite Type Seal.
Available Against
Order.

Unit No.	Shaft Dia. d (in) (mm)	Dimensions (mm)										Bolt S	Spher. Roll. B.	Adapt. Sleeve No. Metric	Spacer Ring No. (SR)	HSG No. Q	HSG Wt.		
		H	A	E	B	G	W	L1	C	E1	X							T	Z
SD3134 TSE	6	170	510	430	180	70	335	240	14	100	65	154	120	M24	23134K	HE3134	280 x 10	2	70
SD3136 TSE	6-1/2	180	530	450	190	75	355	250	15	110	68	159	130	M24	H3134 23136K	HE3136	300 x 10	2	78
SD3138 TSE	6-3/4	190	560	480	210	80	375	270	10	120	80	168	140	M24	H3136 23138K	HE3138	320 x 10	2	96
SD3140 TSE	7	210	610	510	230	85	410	290	10	130	82	178	150	M30	H3138 23140K	HE3140	340 x 10	2	128
SD3144 TS	200	220	640	540	240	90	435	300	12	140	90	184	155	M30	H3140 23144K	H3144	370 x 10	2	146
SD3148 TS	220	240	700	600	260	95	475	320	12	150	100	194	160	M30	H3144 23148K	H3148	400 x 10	2	164
SD3152 TS	240	260	770	650	280	100	515	330	13	160	105	200	170	M36	H3148 23152K	H3152	440 x 10	2	220
SD3156 TS	260	280	790	670	280	105	550	330	16	160	105	200	170	M36	H3152 23156K	H3156	460 x 10	2	225
SD3160 TS	280	300	830	710	310	100	590	360	22	190	110	213	190	M36	H3156 23160K	H3160	500 x 10	2	282
SD3164 TS	300	320	880	750	330	115	630	380	23	200	120	224	200	M36	H3160 23164K	H3164	540 x 10	2	339
SD3168 TS	320	340	965	840	380	120	670	400	25	240	135	244	220	M42	H3164 23168K	H3168	580 x 10	2	549
SD3172 TS	340	360	1040	890	390	130	720	400	22	255	145	249	225	M48	H3168 23172K	H3172	600 x 10	2	560
SD3176 TS	360	380	1120	980	400	135	750	415	22	255	145	260	240	M56	H3172 23176K	H3176	620 x 10	2	776
SD3180 TS	380	400	1245	1050	420	140	790	425	22	270	150	276	260	M64	H3176 23180K	H3180	650 x 10	2	880

One housing per set should include spacer rings.
Dimension "X" may vary with fitting arrangements. Please check your application.
Note: Lock nut must be located on oil well side of housing.

HOUSINGS

Split Housings: Series CSD 3100 Heavy Duty



Labyrinth 'TS' Seal
Standard on CSD
Housings.
Unless specified 'B'
Type Open Housings
Supplied.

TS Taconite Type Seal.
Available Against
Order.

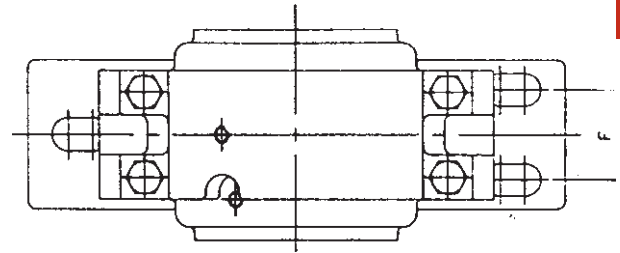
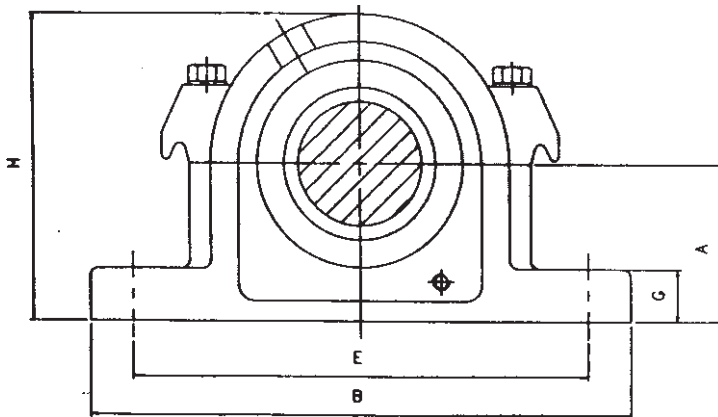
Unit No.	Shaft Dia. d	Dimensions (mm)											Bolt Dia. S	Spher. Roll. B.	Adapter Sleeve	Spacer Ring (SR)	Q
		H	A	E	E1	G	W	B	L1	C	T	Z					
CSD3168	320	360	830	700	240	70	705	350	430	30	264	225	42	23168K	H3168	580 x 10	2
CSD3172	340	360	830	700	240	70	705	350	430	30	264	225	42	23172K	H3172	600 x 10	2
CSD3176	360	390	880	760	280	75	765	380	460	35	280	240	42	23176K	H3176	620 x 10	2
CSD3180	380	390	880	760	280	75	765	380	460	35	280	240	42	23180K	H3180	650 x 10	2
CSD3184	400	440	940	810	280	80	850	400	490	35	294	255	42	23184K	H3184	700 x 10	2
CSD3188	410	440	940	810	280	80	850	400	490	35	294	255	42	23188K	H3188	720 x 10	2
CSD3192	430	470	1040	880	310	80	920	440	530	35	314	275	52	23192K	H3192	760 x 10	2
CSD3196	450	470	1040	880	310	80	920	440	530	35	314	275	52	23196K	H3196	790 x 10	2

One housing per set should include spacer rings.

Note: Lock nut must be located in oil well side of housing.

HOUSINGS

Split Housings: Series SAF 225 & SAF 226

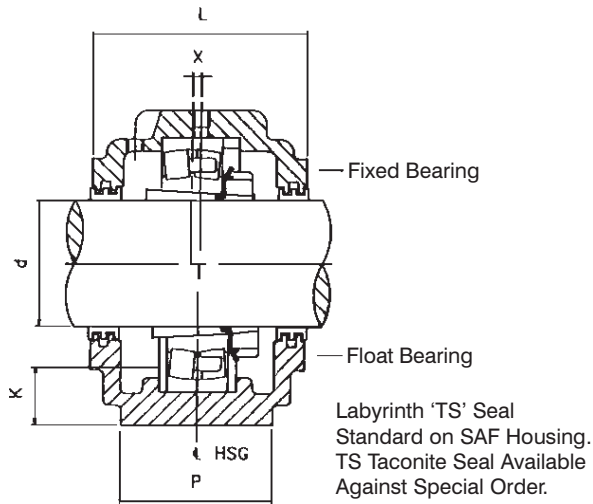


Shaft Dia. d inch	Complete Plum. Block Number	Basic Housing Only	Spherical Roller Bearing	Adapter Sleeve Number	Labyrinth Seal Ring (2 Required)	Spacer Ring (1 Required)
1-7/16	SAF22509	SAF509	22209K	HA309	LER17	SR 85 x 6
1-11/16	SAF22510	SAF510	22210K	HA310	LER20	SR 90 x 6.5
1-15/16	SAF22511	SAF511	22211K	HA311	LER24	SR 100 x 6
2-3/16	SAF22513	SAF513	22213K	HA313	LER29	SR 120 x 8
2-7/16	SAF22515	SAF515	22215K	HA315	LER37	SR 130 x 10
2-11/16	SAF22516	SAF516	22216K	HA316	LER44	SR 140 x 10
2-15/16	SAF22517	SAF517	22217K	HA317	LER53	SR 150 x 10
3-3/16	SAF22518	SAF518	22218K	HA318	LER188	SR 160 x 10
3-7/16	SAF22520	SAF520	22220K	HA320	LER102	SR 180 x 10
3-15/16	SAF22522	SAF522	22222K	HA322	LER109	SR 200 x 10
4-3/16	SAF22524	SAF524	22224K	HA3124	LER113	SR 215 x 10
4-7/16	SAF22526	SAF526	22226K	HA3126	LER117	SR 230 x 10
4-15/16	SAF22528	SAF528	22228K	HA3128	LER122	SR 250 x 10
5-3/16	SAF22530	SAF530	22230K	HA3130	LER125	SR 270 x 10
5-7/16	SAF22532	SAF532	22232K	HA3132	LER130	SR 290 x 10
5-15/16	SAF22534	SAF534	22234K	HA3134	LER140	SR 310 x 10
6-7/16	SAF22536	SAF536	22236K	HA3136	LER148	SR 320 x 10
6-15/16	SAF22538	SAF538	22238K	HA3138	LER155	SR 340 x 10
7-3/16	SAF22540	SAF540	22240K	HA3140	LER159	SR 360 x 10
7-15/16	SAF22544	SAF544	22244K	HA3144	LER167	SR 400 x 10

Shaft Dia. d inch	Complete Plum. Block Number	Basic Housing Only	Spherical Roller Bearing	Adapter Sleeve Number	Labyrinth Seal Ring (2 Required)	Spacer Ring (1 Required)
1-7/16	SAF22609	SAF609	22309K	HA2309	LER17	SR 100 x 6
1-11/16	SAF22610	SAF610	22310K	HA2310	LER20	SR 110 x 8
1-15/16	SAF22611	SAF611	22311K	HA2311	LER24	SR 120 x 10
2-3/16	SAF22613	SAF613	22313K	HA2313	LER32	SR 140 x 8.5
2-7/16	SAF22615	SAF615	22315K	HA2315	LER37	SR 160 x 10
2-11/16	SAF22616	SAF616	22316K	HA2316	LER44	SR 170 x 10
2-15/16	SAF22617	SAF617	22317K	HA2317	LER184	SR 180 x 10
3-3/16	SAF22618	SAF618	22318K	HA2318	LER188	SR 190 x 9.5
3-7/16	SAF22620	SAF620	22320K	HA2320	LER102	SR 215 x 9.5
3-15/16	SAF22622	SAF622	22322K	HA2322	LER109	SR 240 x 9.5
4-3/16	SAF22624	SAF624	22324K	HA2324	LER113	SR 260 x 9.5
4-7/16	SAF22626	SAF626	22326K	HA2326	LER117	SR 280 x 9.5
4-15/16	SAF22628	SAF628	22328K	HA2328	LER122	SR 300 x 9.5
5-3/16	SAF22630	SAF630	22330K	HA2330	LER125	SR 320 x 9.5
5-7/16	SAF22632	SAF632	22332K	HA2332	LER130	SR 340 x 9.5
5-15/16	SAF22634	SAF634	22334K	HA2334	LER140	SR 360 x 10
6-7/16	SAF22636	SAF636	22336K	HA2336	LER148	SR 380 x 10
6-15/16	SAF22638	SAF638	22338K	HA2338	LER155	SR 400 x 10
7-3/16	SAF22640	SAF640	22340K	HA2340	LER159	SR 420 x 10

HOUSINGS

Split Housings: Series SAF 500 & SAF 600



DESIGN FEATURES:

- Designed for both grease or oil lubrication, the housings have substantial oil capacity and are preferred when oil bath or oil circulation is required.
- Seals are the frictionless Aluminium TS Labyrinth type which excludes foreign matter and retain grease and oil. They assure maximum sealing even under unusually dirty conditions.
- Extra heavy wide base with flat, smooth top surface for better bolt sealing.
- Lifting grips on each side of 4-bolt cap.

NOTE:

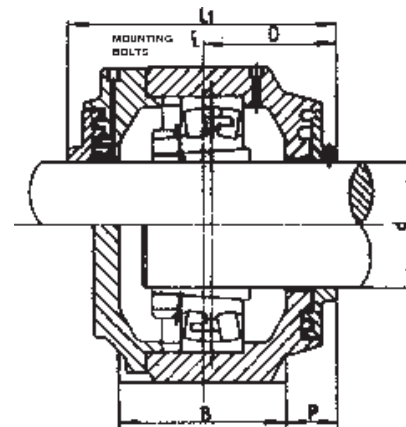
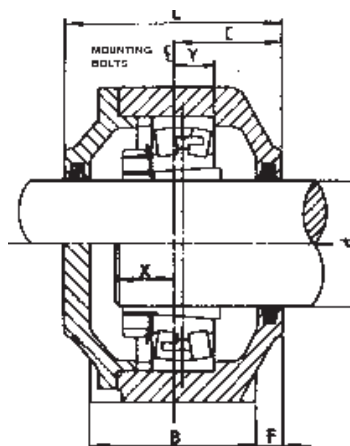
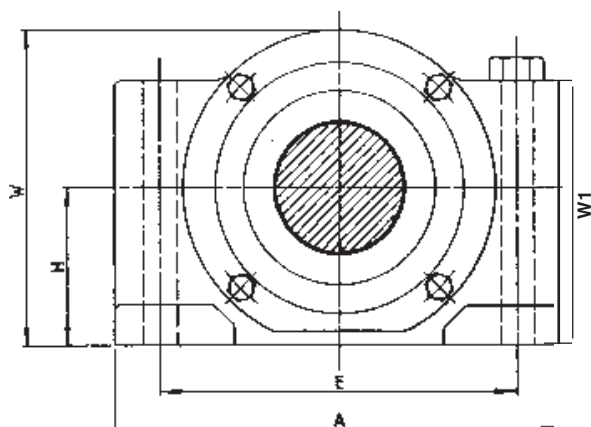
- 1) When ordering SAF 513-520 and SAF 611-617, please specify either 2 Bolt or 4 Bolt Mounting. Housing with prefix 'F' denotes 4-bolt base.
- 2) One Housing per set should include Spacer Rings.

Basic Housing No.	A in.	B in.	E max in.	E min in.	F in.	G in.	H in.	K Static Oil Level in.	L in.	P in.	X in.	Bolts (No. req'd)		HSG Wt. Kg.
												in.	in.	
SAF509	2-1/4	8-1/4	7	6-1/4		13/16	4-3/8	13/32	3-5/8	2-3/8	.114	(2)-1/2		4.0
SAF510	2-1/2	8-1/4	7	6-1/2		15/16	4-3/4	1-3/32	3-5/8	2-3/8	.133	(2)-1/2		4.5
SAF511	2-3/4	9-5/8	7-7/8	7-3/8		15/16	5-1/4	1-3/16	3-7/8	2-3/4	.114	(2)-5/8		5.0
SAF513	3	11	9-1/2	8-1/8	2	1	5-15/16	1-3/32	4-1/2	3-1/8	.157	(2)-5/8	(4)-1/2	7.5
SAF515	3-1/4	11-1/4	9-5/8	8-5/8	1-7/8	1-1/8	6-3/8	1-1/8	4-3/4	3-1/8	.118	(2)-5/8	(4)-1/2	8
SAF516	3-1/2	13	11	9-5/8	2-1/8	1-3/16	6-7/8	1-1/4	4-7/8	3-1/2	.187	(2)-3/4	(4)-5/8	12
SAF517	3-3/4	13	11	9-7/8	2-1/8	1-1/4	7-5/16	1-3/8	5	3-1/2	.187	(2)-3/4	(4)-5/8	13
SAF518	4	13-3/4	11-5/8	10-3/8	2-1/8	1-5/16	7-3/4	1-1/2	5-3/4	3-7/8	.187	(2)-3/4	(4)-5/8	15
SAF520	4-1/2	15-1/4	13-1/8	11-5/8	2-3/8	1-3/4	8-3/4	1-21/32	6-1/8	4-3/8	.187	(2)-7/8	(4)-3/4	20
SAF522	4-15/16	16-1/2	14-1/2	12-5/8	2-3/4	2	9-5/8	1-25/32	6-1/2	4-3/4	.187	(4)-3/4		25
SAF524	5-1/4	16-1/2	14-1/2	13-1/4	2-3/4	2-1/8	10-1/4	1-27/32	7-3/8	4-3/4	.187	(4)-3/4		30
SAF526	6	18-3/8	16	14-5/8	3-1/4	2-3/8	11-1/2	2-11/32	8	5-1/8	.187	(4)-7/8		45
SAF528	6	20-1/8	17-1/8	16	3-3/8	2-3/8	11-3/4	2-1/32	7-5/8	5-7/8	.187	(4)-1		52
SAF530	6-5/16	21-1/4	18-1/4	17	3-3/4	2-1/2	12-1/2	2	8-3/8	6-1/4	.187	(4)-1		58
SAF532	6-11/16	22	19-1/4	17-3/8	3-3/4	2-5/8	13-5/16	2-1/16	8-3/4	6-1/4	.187	(4)-1		70
SAF534	7-1/16	24-3/4	21-5/8	19-3/8	4-1/4	2-3/4	14-3/16	2-5/32	9-5/8	6-3/4	.187	(4)-1		96
SAF536	7-1/2	26-3/4	23-5/8	20-7/8	4-5/8	3	14-7/8	2-3/8	10	7-1/8	.187	(4)-1		108
SAF538	7-7/8	28	24-3/8	21-5/8	4-1/2	3-1/8	15-11/16	2-7/16	10-3/4	7-1/2	.187	(4)-1-1/4		120
SAF540	8-1/4	29-1/2	25	22-1/2	5	3-3/8	16-1/2	2-15/32	11-1/4	8	.187	(4)-1-1/4		142
SAF544	9-1/2	32-3/4	27-7/8	24-3/4	5-1/4	3-3/4	18-5/8	3-1/8	12	8-3/4	.187	(4)-1-1/2		200

Basic Housing No.	A in.	B in.	E max in.	E min in.	F in.	G in.	H in.	K Static Oil Level in.	L in.	P in.	X in.	Bolts (No. req'd)		HSG Wt. Kg.
												in.	in.	
SAF609	2-3/4	9-5/8	7-7/8	7-3/8		1	5-5/16	1-9/32	4-1/4	2-3/4	(2)-5/8		6	
SAF610	3	10-5/8	9	7-3/4		1-1/8	5-13/16	1-3/8	4-5/8	2-3/4	(2)-5/8		8	
SAF611	3-1/4	11	9-1/2	8-1/8	2	1-3/16	6-3/16	1-7/16	4-7/8	3-1/8	(2)-5/8	(4)-1/2	10	
SAF613	3-1/2	13	11	9-5/8	2-1/8	1-1/4	6-15/16	1-13/32	5-3/8	3-1/2	(2)-3/4	(4)-5/8	13	
SAF615	4	13-3/4	11-5/8	10-3/8	2-1/8	1-5/16	7-3/4	1-19/32	6-1/4	3-7/8	(2)-3/4	(4)-5/8	19	
SAF616	4-1/4	14-1/4	12-5/8	10-5/8	2-1/8	1-5/16	8-1/4	1-11/16	6-1/2	3-7/8	(2)-3/4	(4)-5/8	23	
SAF617	4-1/2	15-1/4	13-1/8	11-5/8	2-3/8	1-3/4	8-3/4	1-3/4	6-3/4	4-3/8	(2)-7/8	(4)-3/4	26	
SAF618	4-3/4	15-1/2	13-1/2	12	2-1/4	2	9-3/16	1-7/8	6-7/8	4-3/8	(4)-3/4		28	
SAF620	5-1/4	16-1/2	14-1/2	13-1/4	2-3/4	2-1/8	10-1/4	2-1/32	7-3/8	4-3/4	(4)-3/4		33	
SAF622	6	18-3/8	16	14-5/8	3-1/4	2-3/8	11-1/2	2-13/32	8	5-1/8	(4)-7/8		45	
SAF624	6-5/16	21-1/4	18-1/4	17	3-3/4	2-1/2	12-1/2	2-3/8	8-3/8	6-1/4	(4)-1		63	
SAF626	6-11/16	22	19-1/4	17-3/8	3-3/4	2-5/8	13-5/16	2-7/16	8-3/4	6-1/4	(4)-1		74	
SAF628	7-1/16	24-3/4	21-5/8	19-3/8	4-1/4	2-3/4	14-3/16	2-9/16	9-5/8	6-3/4	(4)-1		98	
SAF630	7-1/2	26-3/4	23-5/8	20-7/8	4-5/8	3	14-7/8	2-5/8	9-3/4	7-1/8	(4)-1		106	
SAF632	7-7/8	28	24-3/8	21-5/8	4-1/2	3-1/8	15-11/16	2-11/16	10-3/4	7-1/2	(4)-1-1/4		130	
SAF634	8-1/4	29-1/2	25	22-1/2	5	3-3/8	16-1/2	2-3/4	11-1/4	8	(4)-1-1/4		150	
SAF636	8-7/8	31-1/4	26-5/8	24	5-1/4	3-1/2	17-3/4	3-3/8	11-3/8	8-1/4	(4)-1-1/4		166	
SAF638	9-1/2	32-3/4	27-7/8	24-3/4	5-1/4	3-3/4	18-5/8	3-3/8	12	8-3/4	(4)-1-1/2		206	
SAF640	9-7/8	34-1/4	29-1/2	26-1/4	5-1/2	4	20	3-3/4	12-1/16	9	(4)-1-1/2		220	

HOUSINGS

Solid Housings Series SB 500 Medium Duty



Note:
SB505-SB515 Inclusive are 2 Bolt Mounting Cover.
SB516-SB522 Inclusive are 4 Bolt Mounting Cover
as shown.

Felt Seal Standard on SB Housings

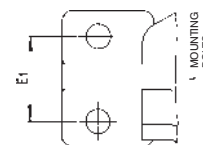
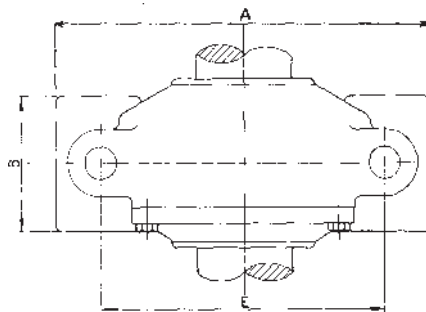
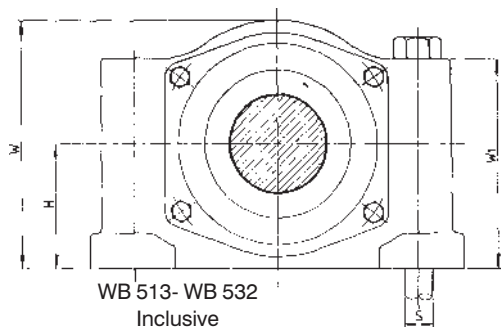
Labyrinth LS Seal and LS Taconite Seal
Available Against Order.

Unit No.	Shaft Dia. d (in) (mm)	Dimensions (mm)															Bolt	Bearing No.		Adapter Sleeve		Spacer Ring	
		H	A	C	D	E	B	W	L1	P	X	Y	Wt	L	F	Ball		Roller	Metric	Inch	No.(SR)	Q	
SB505	3/4	20	34.92	98	32	73.0	28	73			22	11.5	67	63	17	M12	1205K		H205	HE205	52 x 5	2	
																	2205K		H305	HE305	52 x 7	1	
SB506	1	25	38.10	108	32	82.5	41	78			22	12.5	68	71	11	M12	1206K		H206	HE206	62 x 7	2	
																	2206K		H306	HE306	62 x 10	1	
																		22206K	H306	HE306	62 x 10	1	
SB508	1-1/4	35	47.62	127	34	51	101.5	48	97	112	27	23	13	81	78	10	M12	1208K		H208	HE208	80 x 7.5	2
																		2208K		H308	HE308	80 x 10	1
																			22208K	H308	HE308	80 x 10	1
SB509	1-1/2	40	50.80	133	38	54	108.0	48	102	113	30	25	14	82	81	14	M12	1209K		H209	HE209	85 x 6	2
																		2209K		H309	HE309	85 x 8	1
																			22209K	H309	HE309	85 x 8	1
SB510	1-3/4	45	53.97	137	38	54	111.0	48	108	112	29	25	15	89	84	14	M12	1210K		H210	HE210	90 x 6.5	2
																		2210K		H310	HE310	90 x 10	1
																			22210K	H310	HE310	90 x 10	1
SB511	2	50	58.74	159	41	56	124.0	54	119	120	29	30	12	98	90	14	M16	1211K		H211	HE211	100 x 6	2
																		2211K		H311	HE311	100 x 8	1
																			22211K	H311	HE311	100 x 8	1
SB513	2-1/4	60	69.85	181	43	62	146.0	63	141	142	33	34	14	114	102	10	M16	1213K		H213	HE213	120 x 10	2
																		2213K		H313	HE313	120 x 12	1
																			22213K	H313	HE313	120 x 12	1
SB515	2-1/2	65	76.20	190	45	66	155.5	63	152	145	34	36	14	121	103	10	M16	1215K		H215	HE215	130 x 8	2
																		2215K		H315	HE315	130 x 10	1
																			22215K	H315	HE315	130 x 10	1
SB516	2-3/4	70	82.55	238	48	71	190.5	86	168	157	28	38	16.5	127	111	5	M20	1216K		H216	HE216	140 x 8.5	2
																		2216K		H316	HE316	140 x 10	1
																			22216K	H316	HE316	140 x 10	1
SB517	3	75	88.90	254	54	76	203.0	89	181	163	32	38	20.5	136	119	10	M20	1217K		H217	HE217	150 x 9	2
																		2217K		H317	HE317	150 x 10	1
																			22217K	H317	HE317	150 x 10	1
SB518	3-1/4	80	98.42	273	65	89	222.0	92	200	171	39	37	34	152	127	17	M20	1218K		H218	HE218	160 x 16.2	2
																		2218K		H318	HE318	160 x 11.2	2
																			22218K	H318	HE318	160 x 11.2	2
SB520	3-1/2	90	107.95	324	65	89	241.0	103	219	184	37	43	36.5	178	136	13	M24	1220K		H220	HE220	180 x 18.1	2
																		2220K		H320	HE320	180 x 12.1	2
																			22220K	H320	HE320	180 x 12.1	2
SB522	4	100	120.65	324	59	80	260.0	114	243	182	24	52	38	203	140	3	M30	1222K		H222	HE222	200 x 21	2
																		2222K		H322	HE322	200 x 13.5	2
																			22222K	H322	HE322	200 x 13.5	2

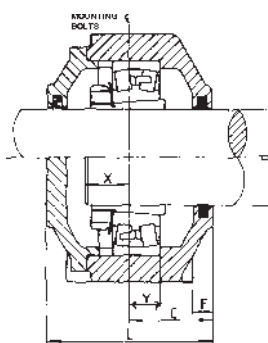
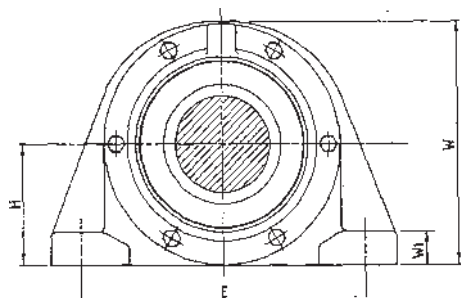
Dimension "X" may vary with fitting arrangements. Please check your application.
Unless specified 'B' type open covers supplied. One housing per set should include spacer rings.

HOUSINGS

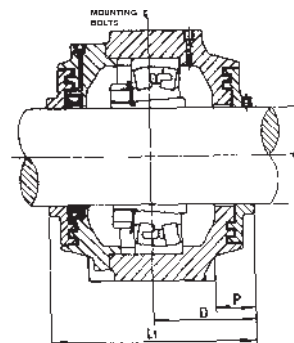
Solid Housings Series WB 500 Heavy Duty



WB 534-
WB 536
Inclusive



Felt Seal Standard on WB Housings



Labyrinth LS Seal and LS Taconite Seal
Available Against Order.

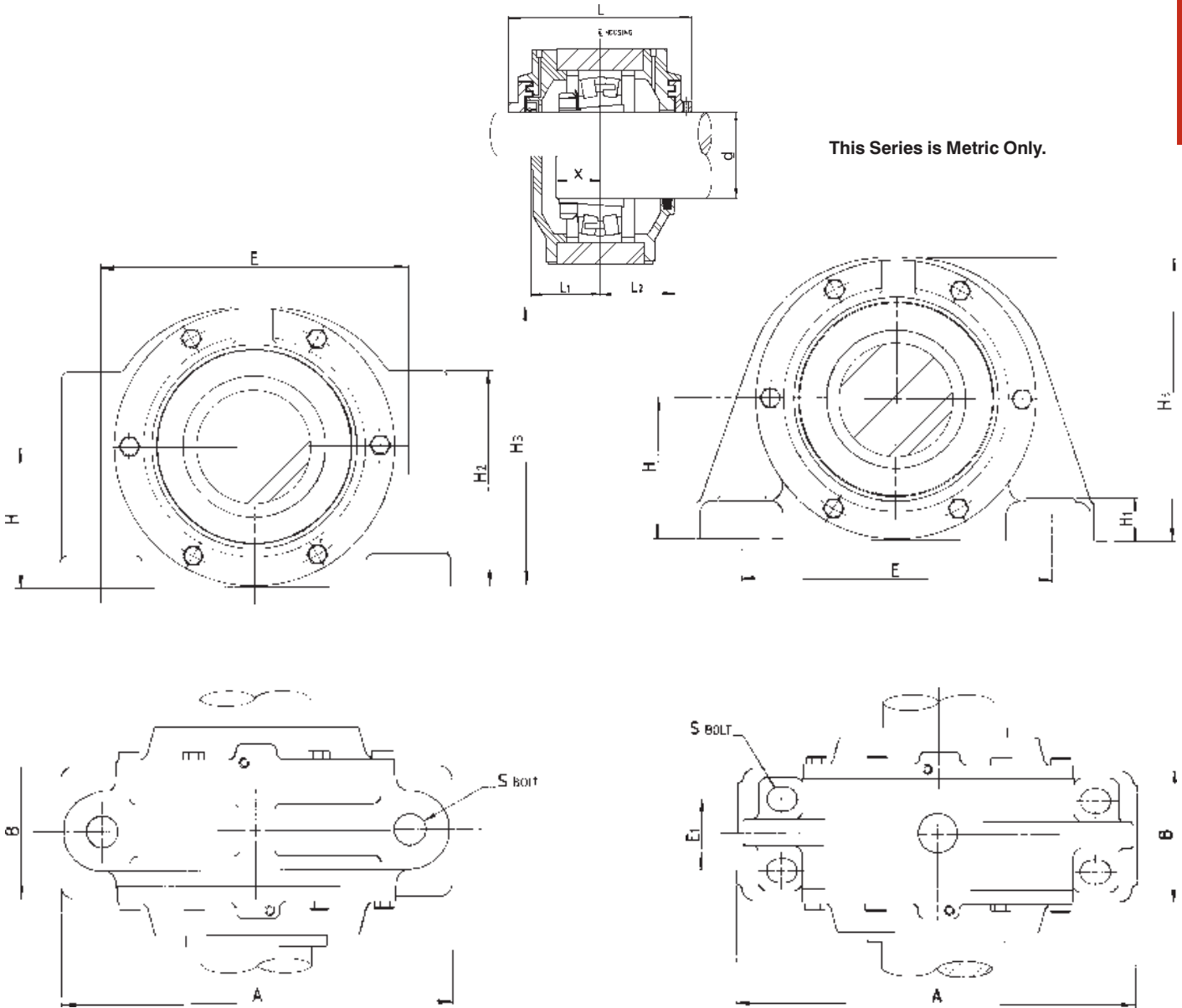
Unit No.	Shaft Dia. d (in) (mm)	Dimension (mm)														Bolt Diameter		Bearing No.		Adapter Sleeve No.		Spacer Ring					
		H	A	E	Y	C	D	B	W	W1	L	L1	F	P	E1	X	2 Bolt	4 Bolt	Ball	Roller	Metric	Inch	No.(SR)	Q			
WB513	2-1/4 60	80.16	197	162	22.5	52	72	79	155	140	102	137	11	27			M16		1213K		H213	HE213	120 x 10	2			
																			2213K		H313	HE313	120 x 12	1			
WB515	2-1/2 65	82.55	267	191	20.5	56	78	89	165	140	111	153	11	30			M20		1215K		H215	HE215	130 x 8	2			
																			2215K		H315	HE315	130 x 10	1			
																					22215K		H315	HE315	130 x 10	1	
WB516	2-3/4 70	98.42	292	216	21.5	58	82	102	191	165	114	160	6.5	28			M24		1216K		H216	HE216	140 x 8.5	2			
																			2216K		H316	HE316	140 x 10	1			
																					22216K		H316	HE316	140 x 10	1	
WB517	3	75	98.42	292	216	23	60	82	102	194	165	119	162	9	30			M24		1217K		H217	HE217	150 x 9	2		
																				2217K		H317	HE317	150 x 10	1		
																						22217K		H317	HE317	150 x 10	1
WB518	3-1/4 80	107.95	311	241	31.2	66	90	102	213	184	133	175	14	35			M24		1218K		H218	HE218	160 x 16.2	2			
																			2218K		H318	HE318	160 x 11.2	2			
																					22218K		H318	HE318	160 x 11.2	2	
																					23218K		H2318	HE2318	160 x 10	1	
WB520	3-1/2 90	117.47	337	260	38.3	74	98	108	229	197	146	190	19	42			M24		1220K		H220	HE220	180 x 18.1	2			
																			2220K		H320	HE320	180 x 12.1	2			
																					22220K		H320	HE320	180 x 12.1	2	
																					23220K		H2320	HE2320	180 x 10	1	
WB522	4	100	133.35	375	292	42.3	80	100	121	257	222	157	196	19	38			M30		1222K		H222	HE222	200 x 21	2		
																				2222K		H322	HE322	200 x 13.5	2		
																						22222K		H322	HE3222	200 x 13.5	2
																						23222K		H2322	HE2322	200 x 10	1
WB524	4-1/4 110	139.7	394	305	43	86	110	133	270	229	172	213	19	40			M30		22224K		H3124	HE3124	215 x 14	2			
																			23224K		H2324	HE2324	215 x 10	1			
WB526	4-1/2 115	149.22	425	330	45	82	108	140	295	241	172	210	12	34			M30		22226K		H3126	HE3126	230 x 13	2			
																			23226K		H2326	HE2326	230 x 10	1			
WB528	5	125	149.22	444	330	49	88	114	140	308	241	182	232	18	42			M30		22228K		H3128	HE3128	250 x 15	2		
																				23228K		H2328	HE2328	250 x 10	1		
WB530	5-1/4 135	165.10	489	356	50	92	115	146	330	267	219	254	19	42			M36		22230K		H3130	HE3130	270 x 16.5	2			
																			23230K		H2330	HE2330	270 x 10	1			
WB532	5-1/2 140	177.80	533	381	59	95	120	152	352	305	228	267	19	42			M36		22232K		H3132	HE3132	290 x 17	2			
																			23232K		H2332	HE2332	290 x 10	1			
																					22234K		H3134	HE3134	310 x 17	2	
WB534	6	150	179.39	533	457	60	120	140	190	365	44.5	241	279	22	46	117.5			M30		22234K		H3134	HE3134	310 x 17	2	
																					23234K		H2334	HE2334	310 x 10	1	
WB536	6-1/2 160	190.50	559	457	65	120	140	190	400	44.5	245	289	22	46	117.5			M30		22236K		H3136	HE3136	320 x 18	2		
																				23236K		H2336	HE2336	320 x 10	1		

Unless specified "B" type open covers supplied. One housing per set should include spacer rings.

HOUSINGS

Solid Housings Series WSB 500 Heavy Duty Metric

This Series is Metric Only.



Note: Sizes 509 to 520 are 2 Bolt Mounting.
One Cover is Cast Integral With Housing.

Note: Sizes 522 to 532 are 4 Bolt Mounting.
One Cover is Cast Integral With Housing as Standard.
2 Loose Covers are Available Against Special Order.

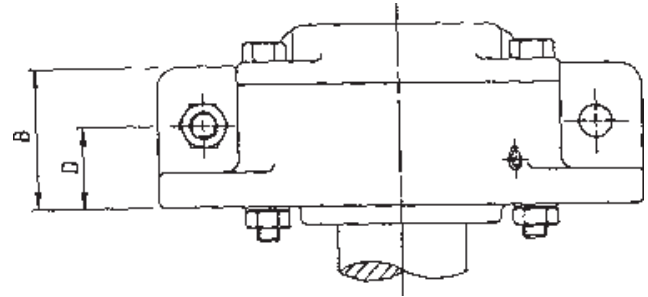
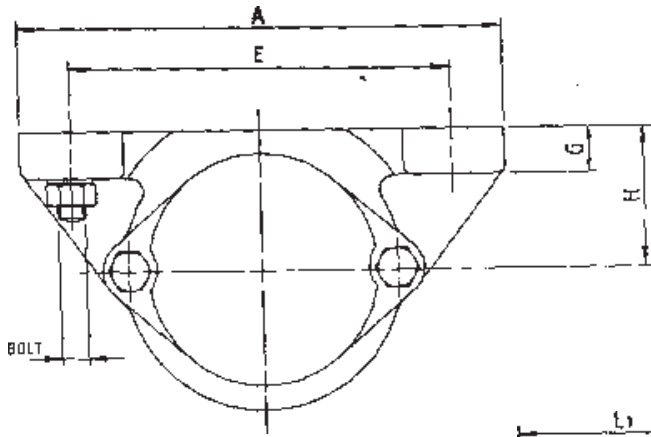
Housing	Dia. 'd'	A	B	E	E ₁	H	H ₁	H ₂	H ₃	L	L ₁	Bolts		L ₂	X	Spher. Roll. B.	Adapter Sleeve	Spacer Ring No. (SR)	Q
												2 Bolt	4 Bolt						
WSB509M	40	135	50	110	52	85	105	116	42	M12	42	25	22209K	H309	85 x 8	1			
WSB510M	45	140	50	115	55	90	110	118	45	M12	45	26	22210K	H310	90 x 10	1			
WSB511M	50	160	55	130	62	100	125	122	47	M16	47	26	22211K	H311	100 x 8	1			
WSB512M	55	170	60	140	67	110	135	134	53	M16	53	24	22212K	H312	110 x 10	1			
WSB513M	60	185	65	150	75	120	150	142	55	M16	55	30	22213K	H313	120 x 12	1			
WSB515M	65	195	70	160	80	130	160	156	58	M16	58	33	22215K	H315	130 x 10	1			
WSB516M	70	240	90	190	87	135	175	162	60	M20	60	36	22216K	H316	140 x 10	1			
WSB517M	75	255	90	205	92	140	185	168	63	M20	64	39	22217K	H317	150 x 10	1			
WSB518M	80	275	95	220	100	155	200	182	68	M20	69	47	22218K	H318	160 x 11.2	2			
WSB520M	90	300	105	240	110	180	220	196	75	M24	76	53	22220K	H320	180 x 12.1	2			
WSB522M	100	375	125	285	70	122	45	250	204	80	M16	80	59	22222K	H322	200 x 13.5	2		
WSB524M	110	400	135	305	70	133	45	270	215	85	M16	84	61	22224K	H3124	215 x 14	2		
WSB526M	115	430	140	330	70	140	50	280	226	87	M16	86	62	22226K	H3126	230 x 13	2		
WSB528M	125	445	140	345	80	150	50	300	233	93	M20	92	71	22228K	H3128	250 x 15	2		
WSB530M	135	460	165	360	90	160	60	320	250	100	M24	98	77	22230K	H3130	270 x 16.5	2		
WSB532M	140	490	175	385	90	170	60	340	268	105	M24	95	83	22232K	H3132	290 x 17	2		

Felt seals are standard on this series.

Unless specified "B" type open cover supplied. One housing per set should include spacer rings.

HOUSINGS

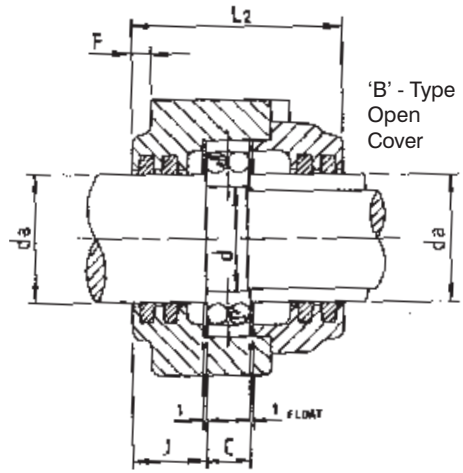
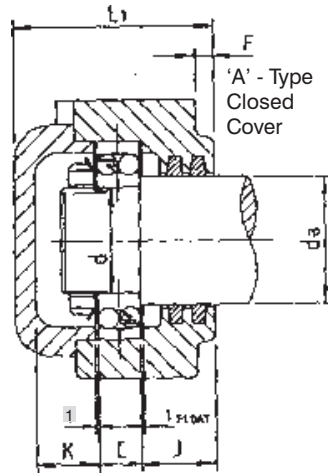
Solid Housings TVN Series Medium Duty



Felt seals standard on TVN housings.

TVN Series housings are designed with 1mm axial displacement both sides of bearing.

Please specify either "A" type or "B" type covers.



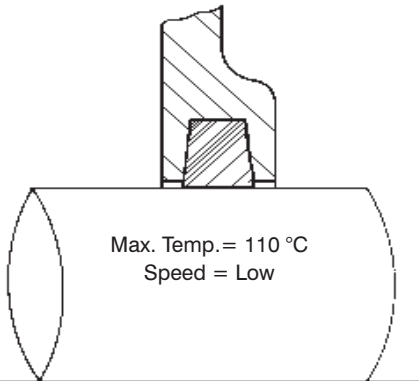
Unit No.	Shaft Dia.			Dimensions											Bearing No.	Lock	Lock	Lock		
A-Type	B-Type	d	da	H	A	E	B	C	D	F	G	J	K	L ₁	L ₂	Bolt	Ball	Roller	Nut	Washer
TVN204A	TVN204B	20	25	35	150	110	45	14	25	6	14	23.5	19	61	68	M12	1204		AN04	AW04
TVN205A	TVN205B	25	30	40	170	130	45	15	25	7	16	24	19	63	71	M12	1205		AN05	AW05
TVN206A	TVN206B	30	35	50	190	150	52	16	30	7	16	27	23	71	76	M12	1206		AN06	AW06
TVN306A	TVN306B	30	40	50	190	150	52	19	30	8	18	27.5	25	77	78	M12	1306		AN06	AW06
21306																				
TVN207A	TVN207B	35	45	50	190	150	52	17	30	8	18	28.5	26	77	78	M12	1207		AN07	AW07
TVN307A	TVN307B	35	45	60	210	170	60	21	35	8	18	31.5	28	86	92	M12	1307		AN07	AW07
21307																				
TVN208A	TVN208B	40	50	60	210	170	60	18	35	8	18	33	30	86	92	M12	1208		AN08	AW08
TVN308A	TVN308B	40	50	60	210	170	60	23	35	8	20	32.5	29	90	94	M12	1308		AN08	AW08
21308																				
TVN209A	TVN209B	45	55	60	210	170	60	19	35	8	20	32	31	87	92	M12	1209		AN09	AW09
TVN309A	TVN309B	45	55	70	270	210	70	25	40	8	23	32.5	31	95	100	M16	1309		AN09	AW09
21309																				
TVN210A	TVN210B	50	60	69	210	170	60	20	35	8	20	34	31	90	94	M12	1210		AN10	AW10
TVN310A	TVN310B	50	60	70	270	210	70	27	40	10	23	36.5	32	102	105	M16	1310		AN10	AW10
21310																				
TVN211A	TVN211B	55	65	70	270	210	70	21	40	8	23	34.5	33	95	100	M16	1211		AN11	AW11
TVN311A	TVN311B	55	65	80	290	230	80	29	45	10	25	37.5	36	110	115	M16	1311		AN11	AW11
21311																				
TVN212A	TVN212B	60	70	70	270	210	70	22	40	10	23	39	35	102	105	M16	1212		AN12	AW12
TVN312A	TVN312B	60	70	80	290	230	80	31	45	10	25	38.5	38	115	117	M16	1312		AN12	AW12
21312																				
TVN213A	TVN213B	65	75	80	290	230	80	23	45	10	25	40.5	39	110	115	M16	1213		AN13	AW13
TVN313A	TVN313B	65	75	95	330	260	90	33	50	12	28	42.5	38	122	127	M20	1313		AN13	AW13
21313																				
TVN214A	TVN214B	70	80	80	290	230	80	24	45	10	25	40.5	40	111	115	M16	1214		AN14	AW14
TVN314A	TVN314B	70	80	95	330	260	90	35	50	12	28	43.5	39	126	129	M20	1314		AN14	AW14
21314																				
TVN215A	TVN215B	75	85	80	290	230	80	25	45	10	25	41.5	41	115	117	M16	1215		AN15	AW15
TVN315A	TVN315B	75	85	100	360	290	100	37	55	13	30	47.5	43	136	139	M20	1315		AN15	AW15
21315																				

Consider "SNA" Housings for Improved Sealing

'Felt' Seal

(PRE-SOAK IN OIL)

Standard sealing normal conditions. Limiting speeds **3-4 metres** per second. SN & Solid housings have felt groove as standard. Poor seal option.

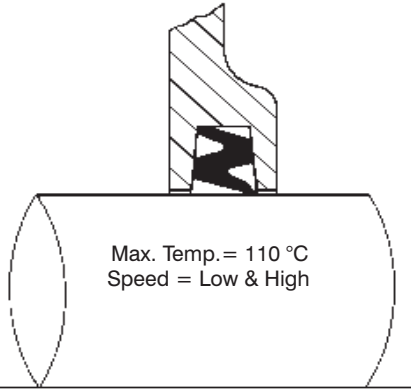


Part No Example:
Felt 2-1/2 (INCH & METRIC)
(USE IMPERIAL SIZES FOR METRIC)

'Z' Seal

(GOOD SHAFT FINISH)

Wiping lip seal improves protection for non-abrasive environment. Limiting speed **10-15 metres** per second. Better alternative to Felt seal. Good in wet environments. SN & Solid housings have felt groove as standard.

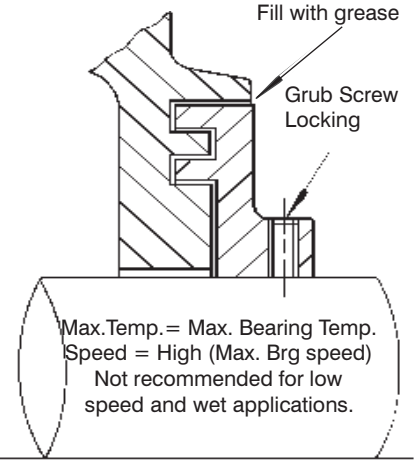


Part No Example: "SN 515"
ZF 15 E (2-1/2 INCHES)
ZF 15 (65 MM)

'LS' Seal

"SOLID" HOUSINGS (FC, WB, SB, TH)
(NON-CONTACT, HIGH SPEED)

(Horizontal Labyrinth) non-contact for abrasive environment. No limiting speed. Available on **non-split housings** only and supplied on request.



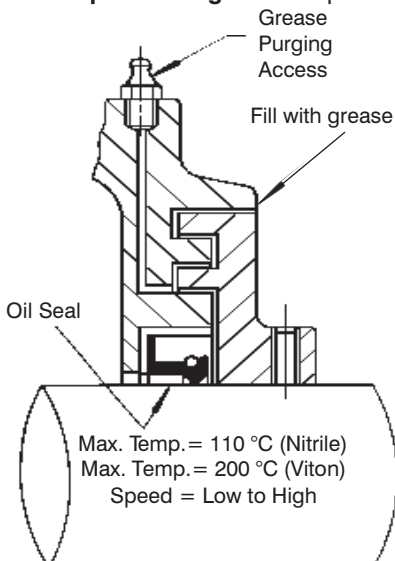
Note: Must be packed with grease on assembly.

Part No Example: "FC 515"
LS E 15 (2-1/2 INCHES)
LS15 (65 MM)

'LS' TAC Type

ULTIMATE SEAL

"SOLID" HOUSINGS (FC, WB, SB, TH)
(Taconite) combination wiping lip and labyrinth for extreme conditions. Grease nipple purges labyrinth seal. Oil seal prevents combination of bearing grease. Available on **non-split housings** & on request only.

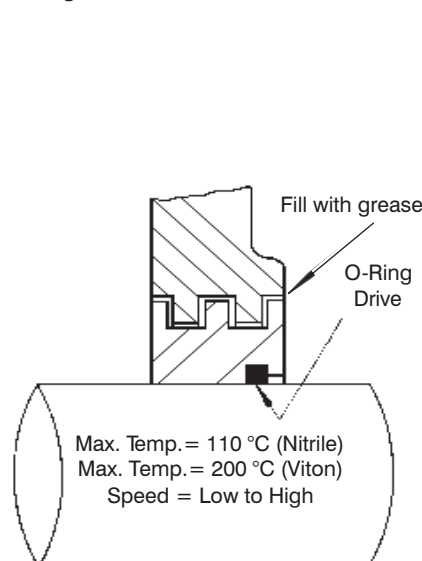


Part No Example: "WB 515"
LS E TAC 15 (2-1/2 INCHES)
LS TAC 15 (65 MM)

'TS' Type

"SSN" & "SD" HOUSINGS

(Vertical Labyrinth) non-contact seal for abrasive environment. No limiting speed. Available on split type housings only. This sealing supplied **standard on SD & SSN** housings.



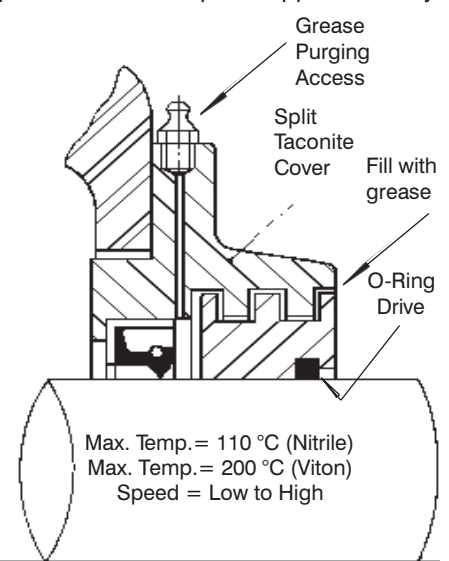
Part No Example: "SSN 515"
TS E 15 (2-1/2 INCHES)
TS 15 (65 MM)

'TS' TAC Type

ULTIMATE SEAL

"SSN" & "SD" HOUSINGS

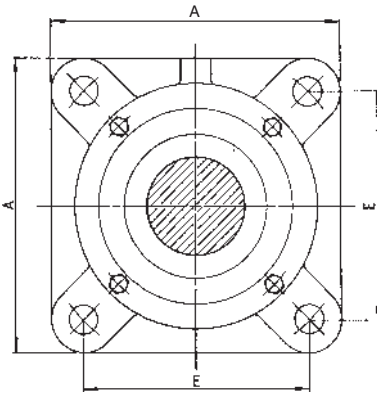
(Taconite) combination wiping lip and labyrinth for extreme conditions. Limiting speeds **10-15 metres** per second. This sealing is available on SD and SSN split plummer block or special application only.



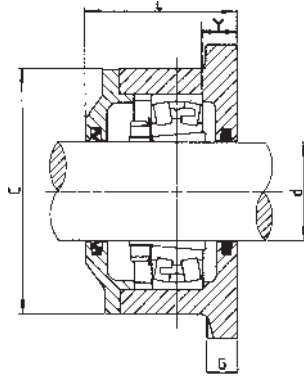
Part No Example: "SSN 515"
TS E TAC 15 (2-1/2 INCHES)
TS TAC 15 (65 MM)

HOUSINGS

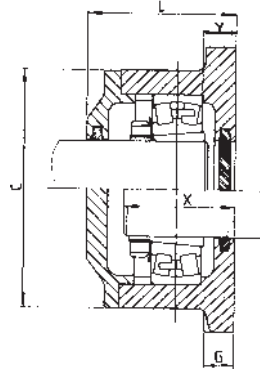
Flange Housings Series FC 500E Medium Duty



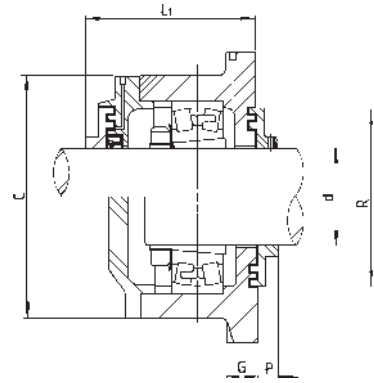
Felt Seal Standard on FC Housings



Unless Specified 'B' Type Open Covers Supplied.



'C' Type Closed Housing Unit. (Blanking Plug Fitted).



Labyrinth 'LS' Seal & LS Taconite Seal Available Against Order.

'A' Type Closed Cover Unit.

Closed Cover Unit 'LS A' Type.

Closed Housing Unit 'LS C' Type. (Blanking Plug Fitted).

Note:

- 1) This Series is available with Inch (E) or Metric (M) shaft openings. Please specify Inch or Metric on order.
- 2) * - indicates Metric Shaft Housings which are common with FCM series.

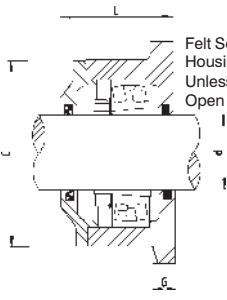
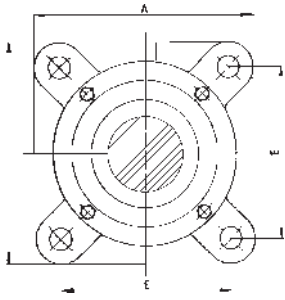
Unit No.	Shaft Dia. d		Dimensions (mm)											Bolt	Bearing No.		Adapter Sleeve No.		Spacer Ring No.	
	(in)	(mm)	A	E	C	G	L	L ₁	P	R	X	Y	Ball		Roller	Metric	Inch	No.	Q	
FC505	3/4	20	114	88.9	78	13	58				46	44	16	M10	1205K	H205	HE205	52 x 5	2	
															2205K	H305	HE305	52 x 7	1	
																22205K	H305	HE305	52 x 7	1
FC506	1	25	127	95	90	12	67				52	51	16	M10	1206K	H206	HE206	62 x 7	2	
															2206K	H306	HE306	62 x 10	1	
																22206K	H306	HE306	62 x 10	1
FC508	1-1/4	35	136	105	108	12	77	93	16	73	59	16	M10	1208K	H208	HE208	80 x 7.5	2		
														2208K	H308	HE308	80 x 10	1		
															22208K	H308	HE308	80 x 10	1	
FC509	1-1/2	40	136	105	113	12	78	94	15	79	62	20	M12	1209K	H209	HE209	85 x 6	2		
														2209K	H309	HE309	85 x 8	1		
															22209K	H309	HE309	85 x 8	1	
FC510	1-3/4	45	142	108.0	118	15	82	98	14	85	60	21	M12	1210K	H210	HE210	90 x 6.5	2		
														2210K	H310	HE310	90 x 10	1		
															22210K	H310	HE310	90 x 10	1	
FC511	2	50	160	124	128	20	92	106	14	94	67	24	M16	1211K	H211	HE211	100 x 6	2		
														2211K	H311	HE311	100 x 8	1		
															22211K	H311	HE311	100 x 8	1	
FC513	2-1/4	60	180	140	150	19	98	115	20	110	76	21	M16	1213K	H213	HE213	120 x 10	2		
														2213K	H313	HE313	120 x 12	1		
															22213K	H313	HE313	120 x 12	1	
FC515	2-1/2	65	187	149.2	155	19	98	119	21	122	78	25	M16	1215K	H215	HE215	130 x 8	2		
														2215K	H315	HE315	130 x 10	1		
															22215K	H315	HE315	130 x 10	1	
FC516	2-3/4	70	200	158.7	171	22	105	127	22	126	82	26	M16	1216K	H216	HE216	140 x 8.5	2		
														2216K	H316	HE316	140 x 10	1		
															22216K	H316	HE316	140 x 10	1	
FC517	3	75	200	158.7	182	22	108	130	20	138	87	26	M16	1217K	H217	HE217	150 x 9	2		
														2217K	H317	HE317	150 x 10	1		
															22217K	H317	HE317	150 x 10	1	
FC518	3-1/4	80	242	190.5	210	27	124	146	22	150	98	24	M20	1218K	H218	HE218	160 x 16.2	2		
														2218K	H318	HE318	160 x 11.2	2		
															22218K	H318	HE318	160 x 11.2	2	
FC520	3-1/2	90	241	190.5	221	27	121	145	22	161	97	24	M20	1220K	H220	HE220	180 x 12.1	1		
																	180 x 10	1		
															2220K	H320	HE320	180 x 10	1	
FC522	4	100	270	215.9	240	27	141	162	21	173	111	22	M20	1222K	H222	HE222	200 x 21	2		
														2222K	H322	HE322	200 x 13.5	2		
															22222K	H322	HE322	200 x 13.5	2	

Unless specified "B" type open covers supplied. One housing per set should include spacer rings.
When ordering specify both cover and housing sealing required.

HOUSINGS

Flange Housings Series FCM 500 Medium Duty Metric

This Series is Metric Only.

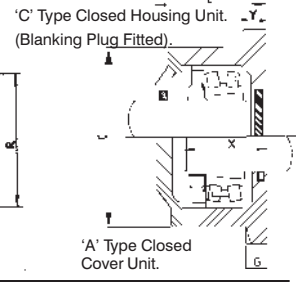
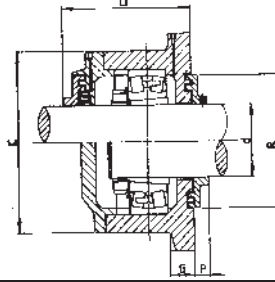


Felt Seal Standard on FC Housings. Unless specified, 'B' Type Open Covers Supplied.

Labyrinth 'LS' Seal & LS Taconite Seal Available Against Order.

Closed Cover Unit 'LS A' Type.

Closed Housing Unit 'LS C' Type. (Blanking Plug Fitted).

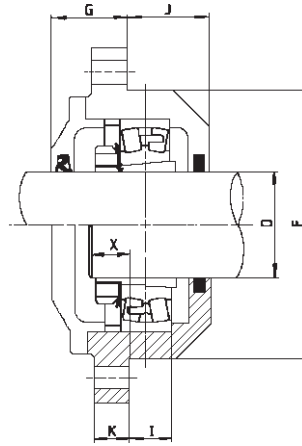
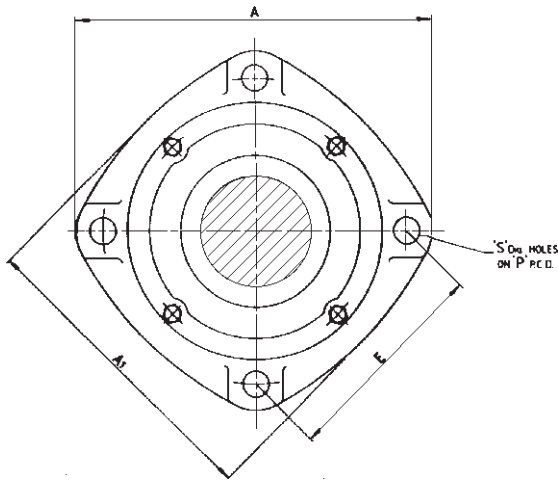


Unit No.	Shaft Dia d	Dimensions (mm)										Bolt	Bearing No.		Adapter Sleeve Metric	Spacer Ring		
		A	E	C	G	L	L ₁	P	R	X	Y		Ball	Roller		No.	Q	
FCM506	25	127	95	90	12	67						M10	1206K		H206	62 x 7	2	
													2206K		H306	62 x 10	1	
FCM507	30	130	100	97	12	75	91	16	73	52	16	M10	1207K		H207	72 x 7	2	
													2207K		H307	72 x 8	1	
														22207K		H307	72 x 8	1
FCM508	35	136	105	108	12	77	93	16	73	59	16	M10	1208K		H208	80 x 7.5	2	
													2208K		H308	80 x 10	1	
														22208K		H308	80 x 10	1
FCM509	40	136	105	113	12	78	94	15	79	62	20	M12	1209K		H209	85 x 6	2	
													2209K		H309	85 x 8	1	
														22209K		H309	85 x 8	1
FCM510	45	142	108	118	15	82	98	14	85	60	21	M12	1210K		H210	90 x 6.5	2	
													2210K		H310	90 x 10	1	
														22210K		H310	90 x 10	1
FCM511	50	160	124	128	20	92	106	14	94	67	24	M16	1211K		H211	100 x 6	2	
													2211K		H311	100 x 8	1	
														22211K		H311	100 x 8	1
FCM512	55	170	130	142	20	94	108	14	94	71	20	M16	1212K		H212	110 x 8	2	
													2212K		H312	110 x 10	1	
														22212K		H312	110 x 10	1
FCM513	60	180	140	150	19	98	115	20	110	76	21	M16	1213K		H213	120 x 10	2	
													2213K		H313	120 x 12	1	
														22213K		H313	120 x 12	1
FCM515	65	190	152	162	25	104	124	20	122	78	25	M16	1215K		H215	130 x 8	2	
													2215K		H315	130 x 10	1	
														22215K		H315	130 x 10	1
FCM516	70	196	152	176	25	110	131	21	126	82	26	M16	1216K		H216	140 x 8.5	2	
													2216K		H316	140 x 10	1	
														22216K		H316	140 x 10	1
FCM517	75	210	170	188	25	114	134	20	138	88	26	M16	1217K		H217	150 x 9	2	
													2217K		H317	150 x 10	1	
														22217K		H317	150 x 10	1
FCM518	80	210	170	198	25	135	157	22	150	112	32	M16	1218K		H218	160 x 17	2	
													2218K		H318	160 x 12	2	
														22218K		H318	160 x 12	2
														23218K		H2318	160 x 11.5	1
FCM520	90	250	198	220	30	146	168	22	161	123	34	M20	1220K		H220	180 x 18.1	2	
													2220K		H320	180 x 12.1	2	
														22220K		H320	180 x 12.1	2
														23220K		H2320	180 x 10	1
FCM522	100	270	219	240	30	158	175	21	173	133	34	M20	1222K		H222	200 x 21	2	
													2222K		H322	200 x 13.5	2	
														22222K		H322	200 x 13.5	2
														23222K		H2322	200 x 10.2	1
FCM524	110	280	230	262	30	166	190	21	186	141	35	M24	22224K		H324	215 x 14	2	
													23224K		H2324	215 x 10	1	
FCM526	115	305	250	280	35	175	196	21	192	150	39	M24	22226K		H326	230 x 13	2	
													23226K		H2326	230 x 10	1	
FCM528	125	330	270	300	37	189	212	23	206	162	42	M24	22228K		H328	250 x 15	2	
													23228K		H2328	250 x 10	1	
FCM530	135	350	290	320	40	199	222	23	218	170	42	M30	22230K		H330	270 x 16.5	2	
													23230K		H2330	270 x 10	1	
FCM532	140	370	300	340	45	208	231	23	230	180	40	M30	22232K		H332	290 x 17	2	
													23232K		H2332	290 x 10	1	

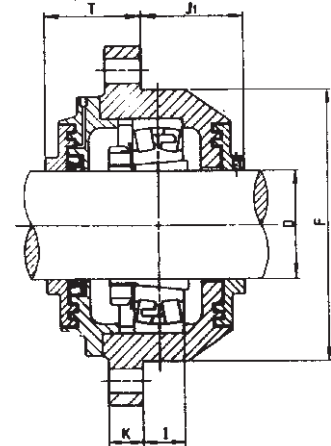
Unless specified "B" type open covers supplied. One housing per set should include spacer rings. When ordering specify both cover and housing sealing required.

HOUSINGS

Flange Housings Series RFS 500 Medium Duty



Felt Seal Standard on RFS Housings



Labyrinth 'LS' Seal & LS Taconite Seal Available Against Order.

Note:

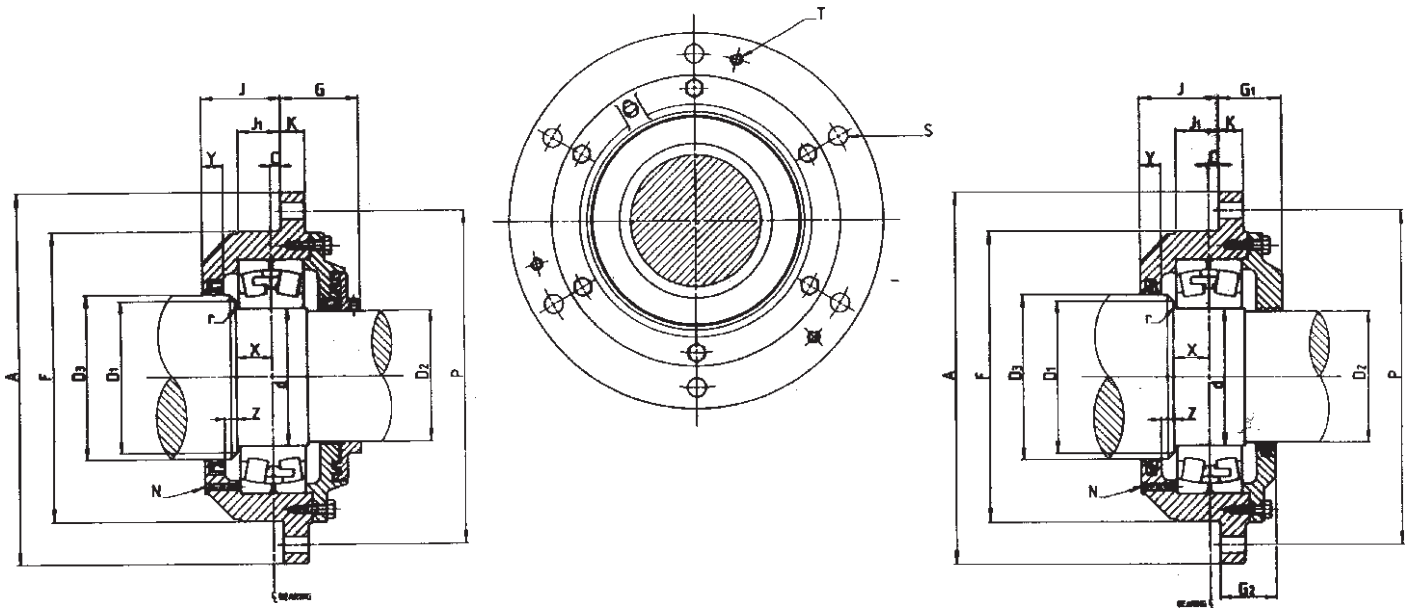
RFS 508 - RFS 522 Inclusive are 4 Bolt Mounting Housing, as shown.
RFS 524 - RFS 528 Inclusive are 6 Bolt Mounting Housing.

Unit No.	Shaft Dia.		Dimensions (mm)													Hole Dia. S		Bolt	Bearing No.		Adapter Sleeve No.		Spacer Ring	
	(in)	(mm)	A	A1	P	E	F	J	J1	K	G	T	I	X	4 H	6 H	Ball		Roller	Metric	Inch	No.	Q	
RFS508	1-1/4	35	152	133	130	92	108	40	56	17	36	55	24	13	12	M10	1208K	H208	HE208	80 x 7.5	2			
																	2208K	H308	HE308	80 x 10	1			
																	22208K	H308	HE308	80 x 10	1			
RFS509	1-1/2	40	159	140	136	97	114	40	55	17	36	55	21	17	13	M12	1209K	H209	HE209	85 x 6	2			
																	2209K	H309	HE309	85 x 8	1			
																	22209K	H309	HE309	85 x 8	1			
RFS510	1-3/4	45	162	143	136	97	118	46	61	17	35	54	24	15	13	M12	1210K	H210	HE210	90 x 6.5	2			
																	2210K	H310	HE310	90 x 10	1			
																	22210K	H310	HE310	90 x 10	1			
RFS511	2	50	181	162	152	107.5	127	49	66	19	38	59	22	19	15	M12	1211K	H211	HE211	100 x 6	2			
																	2211K	H311	HE311	100 x 8	1			
																	22211K	H311	HE311	100 x 8	1			
RFS513	2-1/4	60	197	175	165	117	145	53	72	19	43	63	30	19	15	M12	1213K	H213	HE213	120 x 10	2			
																	2213K	H313	HE313	120 x 12	1			
																	22213K	H313	HE313	120 x 12	1			
RFS515	2-1/2	65	222	187	190	134.5	164	52	72	24	47	69	25	25	17	M16	1215K	H215	HE215	130 x 8	2			
																	2215K	H315	HE315	130 x 10	1			
																	22215K	H315	HE315	130 x 10	1			
RFS516	2-3/4	70	235	200	200	142	175	54	79	25	53	76	27	27	17	M16	1216K	H216	HE216	140 x 8.5	2			
																	2216K	H316	HE316	140 x 10	1			
																	22216K	H316	HE316	140 x 10	1			
RFS517	3	75	251	216	219	155	186	59	80	24	56	75	32	27	20	M16	1217K	H217	HE217	150 x 9	2			
																	2217K	H317	HE317	150 x 10	1			
																	22217K	H317	HE317	150 x 10	1			
RFS518	3-1/4	80	270	235	229	162	200	57	80	28	61	90	33	29	22	M20	1218K	H218	HE218	160 x 16.2	2			
																	2218K	H318	HE318	160 x 11.2	2			
																	22218K	H318	HE318	160 x 11.2	2			
RFS520	3-1/2	90	276	251	245	173	206	59	83	29	62	88	38	33	22	M20	1220K	H220	HE220	180 x 18.1	2			
																	2220K	H320	HE320	180 x 12.1	2			
																	22220K	H320	HE320	180 x 12.1	2			
RFS522	4	100	335	280	292	206.5	250	70	91	29	71	91	47	35	22	M20	1222K	H222	HE222	200 x 21	2			
																	2222K	H322	HE322	200 x 13.5	2			
																	22222K	H322	HE322	200 x 13.5	2			
RFS524	4-1/4	110	355	308	304	152	265	74	93	32	73	93	39	46	22	M20	22224K	H3124	HE3124	215 x 14	1			
RFS526	4-1/2	115	374	332	324	162	280	73	92	32	78	99	44	48	26	M24	22226K	H3126	HE3126	230 x 13	1			
RFS528	5	125	410	366	343	171.5	300	76.5	99	32	76	100	47.5	50	26	M24	22228K	H3128	HE3128	250 x 15	1			

Unless specified "B" type open cover supplied. One housing per set should include spacer rings.

HOUSINGS

Flange Housings Series CFCN 2220 Heavy Duty



Notes:

- 1) Specify required sealing for both housing and cover when ordering.
- 2) Z Seals are not available for shafts above 140 diameter.
- 3) Dimension "X" may vary with fitting arrangements. Please check your application.
- 4) Spigot Dimension 'F' machined h6 Tol. Recommended Tol. when boring for dead shaft pulleys end plate:
K7 for Normal Transition Fit
N7 for Heavy Transition Fit.
- 5) Standard tolerance for "d" stationary shaft = g6.

Notes:

- CFCN 22208 - CFCN 22224 Inclusive are 4 Bolt Mounting Housing.
- CFCN 22226 - CFCN 23160 Inclusive are 6 Bolt Mounting Housing, as shown.

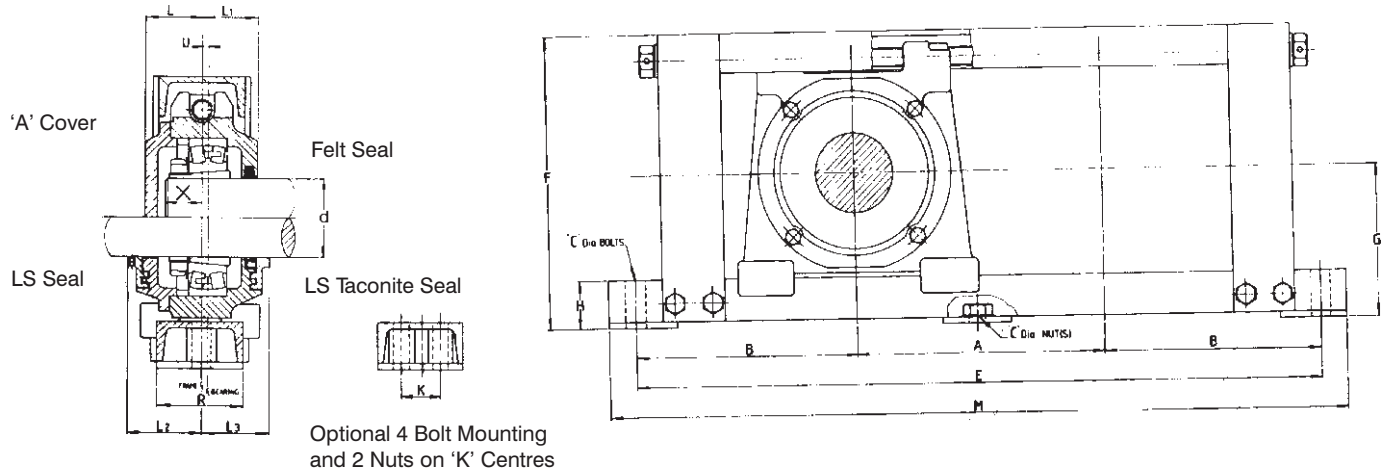
Unit No.	Dimensions (mm)																	Max Shaft Rad R	S 4 Bolt	S 6 Bolt	T 2 Hole	T 3 Hole	N 3 Hole	Spher. Roll B.
	d	D1	D2	D3	A	P	F	J	J1	G	G1	G2	K	Y	C	X	Z							
CFCN22208	40	47	35	60	168	140	114.30	41	13	45	38	31	10	12	6.5	13	9.5	1	M12		M10		22208	
CFCN22209	45	52	40	60	181	152	127.00	43	16	45	42	35	13	12	6.5	13	9.5	1	M12		M10		22209	
CFCN22210	50	59	45	60	194	165	139.70	43	19	54	46	39	13	16	6.5	13	7.5	1.5	M12		M10		22210	
CFCN22211	55	64	50	65	206	178	152.40	41	22	55	41	35	14	13	6.5	14	7.5	1.5	M12		M10		22211	
CFCN22212	60	69	55	70	229	194	161.94	39	24	57	46	39	14	12	6.5	15.5	4.5	1.5	M12		M10		22212	
CFCN22213	65	74	60	75	231	194	161.94	45	24	57	46	39	16	14	6.5	17	7.5	1.5	M12		M10		22213	
CFCN22214	70	79	65	80	235	200	168.30	51	24	65	51	45	16	15	6.5	17	12.5	1.5	M16		M12		22214	
CFCN22215	75	84	70	85	241	206	174.65	57	24	65	52	47	19	17	6.5	17	16.5	1.5	M16		M12		22215	
CFCN22216	80	90	75	90	241	206	174.65	57	24	66	56	44	19	16	6.5	18	16.5	2	M16		M12		22216	
CFCN22217	85	95	80	95	254	222	190.50	57	25	67	52	42	19	16	6.5	20	14.5	2	M16		M12		22217	
CFCN22218	90	100	85	100	276	241	209.56	60	29	69	57	46	19	18	6.5	22	13	2	M16		M12		22218	
CFCN22220	100	112	90	120	327	289	250.84	70	32	77	63	52	22	20	10	25	16	2	M20			M12	M6	22220
CFCN22222	110	122	100	130	343	305	266.70	70	32	76	67	55	22	20	10	27.5	12.5	2	M20			M12	M8	22222
CFCN22224	120	132	115	140	355	318	279.40	70	32	76	59	49	25	20	10	31	9	2	M20			M12	M8	22224
CFCN22226	130	144	125	150	381	337	292.10	74	35	85	65	55	28	20	10	34	12	2.5		M16		M12	M8	22226
CFCN22228	140	154	135	160	406	349	304.20	77	38	87	67	59	32	20	10	36	11	2.5		M20		M16	M8	22228
CFCN22230	150	164	140	180	436	391	330.70	85	41	93	73	65	30	20	10	40	14.5	2.5		M20		M16	M8	22230
CFCN22232	160	174	150	180	442	397	350.00	93	44	94	75		33	20	13	43.5	16.5	2.5		M20		M16	M8	22232
CFCN23134	170	188	160	200	460	400	342.90	102	51	92	80		33	25	13	48	16	3		M22		M16	M10	23134
CFCN23136	180	198	170	200	480	420	361.95	106	51	100	81		33	25	13	52	21	3		M22		M16	M10	23136
CFCN23138	190	208	180	220	508	444	381.00	110	51	104	85		33	25	13	56	16	3		M24		M20	M10	23138
CFCN23140	200	218	190	220	552	483	419.10	114	65	108	87		38	25	13	61	15	3		M24		M20	M10	23140
CFCN23144	220	238	200	240	571	508	444.50	123	65	119	94		38	25	13	65	20	3		M30		M20	M10	23144
CFCN23148	240	258	220	260	624	550	469.90	170	65	110	79		38	30	38	69	33	3		M30		M20	M12	23148
CFCN23152	260	280	240	280	660	584	508.00	184	65	123	86		38	30	38	77	39	4		M30		M20	M12	23152
CFCN23156	280	300	260	300	685	610	533.40	187	76	125	88		44	30	38	79	40	4		M36		M20	M12	23156
CFCN23160	300	322	280	340	724	648	571.50	194	76	132	89		44	30	38	86	40	4		M36		M20	M12	23160

HOUSINGS

Take-Up Housings Series TU 500 - 500 Medium Duty

Felt Seal Standard on TU Housings.

Labyrinth LS Seal & LS Taconite Seals Available Against Order.



Unit No.	Housing No.	Shaft Dia. d (in) (mm)	Dimensions (mm)															Bearing No.		Adapter Sleeve		Spacer Ring	Allow. Frame kN	
			A	B	C	M	E	F	G	H	K	R	L	L1	L2	L3	X	U	Ball	Roller	Metric			Inch
TU511-500	TU511	2	50	500	187	M16	938	874	213	107.5	44	76	52	52	67	67	25	0	1211K	H211	HE211	2-100 x 6	49.00	
																			4	2211K	H311	HE311		1-100 x 8
TU513-500	TU513	2-1/4	60	500	219	M16	1014	938	230	117	44	40	76	50	50	70	70	24	5	1213K	H213	HE213	2-120 x 10	49.00
																			12	2213K	H313	HE313	1-120 x 12	
																			12	22213K	H313	HE313	1-120 x 12	
TU515-500	TU515	2-1/2	65	500	224	M16	1024	948	242	123.5	44	40	76	55	55	76	76	30	0	1215K	H215	HE215	2-130 x 8	49.00
																			4.5	2215K	H315	HE315	1-130 x 10	
																			4.5	22215K	H315	HE315	1-130 x 10	
TU516-500	TU516	2-3/4	70	500	228	M16	1031	956	255	133	44	40	76	56	56	83	83	32	-1.5	1216K	H216	HE216	2-140 x 8.5	58.80
																			3.5	2216K	H316	HE316	1-140 x 10	
																			3.5	22216K	H316	HE316	1-140 x 10	
TU517-500	TU517	3	75	500	245	M16	1050	990	298	158	59	50	102	60	60	84	84	34	0	1217K	H217	HE217	2-150 x 9	58.80
																			5	2217K	H317	HE317	1-150 x 10	
																			5	22217K	H317	HE317	1-150 x 10	
TU518-500	TU518	3-1/4	80	500	245	M16	1050	990	298	158	59	50	102	60	60	84	84	34	0	1218K	H218	HE218	2-160 x 10	58.80
																			5	2218K	H318	HE318	1-160 x 10	
																			5	22218K	H318	HE318	1-160 x 10	
TU520-500	TU520	3-1/2	90	500	268	M16	1122	1036	316	167	59	50	102	68	68	92	92	39	5	1220K	H220	HE220	2-180 x 12.1	58.80
																			11	2220K	H320	HE320	1-180 x 12.1	
																			11	22220K	H320	HE320	1-180 x 12.1	
TU522-500	TU522	4	100	500	285	M16	1153	1070	340	174	59	50	102	71	71	96	96	41	5	1222K	H222	HE222	2-200 x 12.5	58.80
																			10	2222K	H322	HE322	1-200 x 10	
																			10	22222K	H322	HE322	1-200 x 10	
TU524-500	TU524	4-1/4	110	500	316.5	M24	1208	1133	432	224	84	75	152	98	94	127	116	53	5	22224K	H3124	HE3124	2-215 x 17.8	68.60
																			13.5	23224K	H2324	HE2324	1-215 x 17.6	
TU526-500	TU526	4-1/2	115	500	316.5	M24	1208	1133	432	224	84	75	152	98	94	127	116	58	5	22226K	H3126	HE3126	2-230 x 13	68.60
																			10	23226K	H2326	HE2326	1-230 x 10	
TU528-500	TU528	5	125	500	340	M24	1255	1180	459	239	84	75	152	100	100	122	122	66	5	22228K	H3128	HE3128	2-250 x 15	68.60
																			10	23228K	H2328	HE2328	1-250 x 10	
TU532-500	TU532	5-1/2	140	500	395	M24	1370	1290	501	259	84	75	152	124	100	152	130	76	4.5	22232K	H3132	HE3132	2-290 x 17	68.60
																			9.5	23232K	H2332	HE2332	1-290 x 10	
TU534-500	TU534	6	150	500	440	M30	1470	1380	525	263	88	100	206	135	108	162	134	73	4.5	23134K	H3134	HE3134	2-280 x 15	78.40

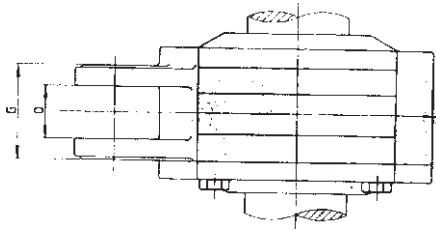
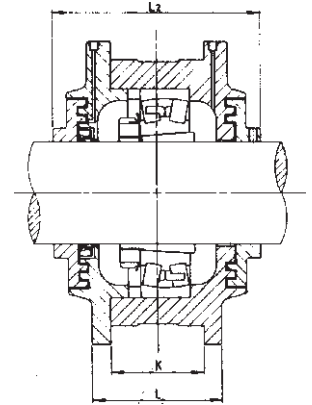
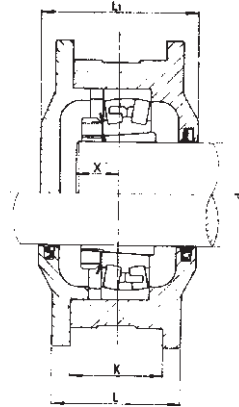
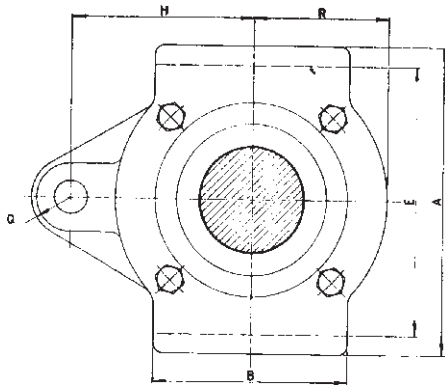
Housing travel lengths, other than 500mm, are available against order.

Larger size housings available on request.

Unless specified "B" type open covers and 2 bolt frame mounting supplied. One housing per set should include spacer rings.

HOUSINGS

Take-Up Housings Series TH 500 Medium Duty



Felt Seal Standard on TH Housings.

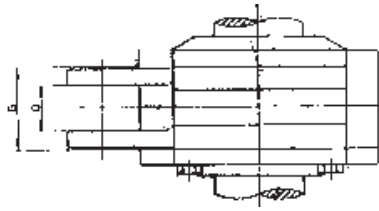
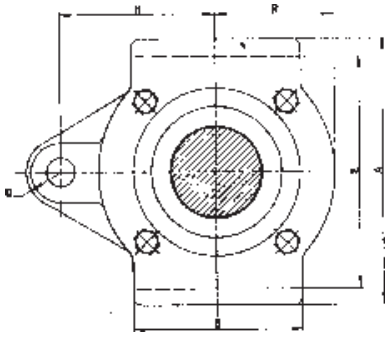
Labyrinth LS Seal & LS Taconite Seals Available Against Order.

Unit No.	Shaft Dia. d		E	Dimensions (mm)													Pin Dia.	Bearing No.		Adapter Sleeve No.		Spacer Ring No.	Hole Dia.
	(in)	M (mm)		K	A	L	H	O	G	B	Q	R	L1	L2	X	Ball		Roller	Metric	Inch	Q		
TH508	1-1/4	35	104.77	53.97	124	73	76	28	51	89	25	52	82	114	22.2	19.05	1208K	H208	HE208	80 x 5	2	21	
																	2208K	H308	HE308	80 x 7.5	1		
TH509	1-1/2	40	104.77	53.97	124	73	76	28	51	89	25	52	82	114	23.8	19.05	1209K	H209	HE209	85 x 6	2	21	
																	2209K	H309	HE309	85 x 8	1		
																	22209K	H309	HE309	85 x 8	1		
TH510	1-3/4	45	120	54	140	75	90	30	50	100	25	65	90	120	25.4	19.05	1210K	H210	HE210	90 x 6.5	2	21	
																	2210K	H310	HE310	90 x 10	1		
																	22210K	H310	HE310	90 x 10	1		
TH511	2	50	120	54	140	75	90	30	50	100	25	65	90	120	27.0	19.05	1211K	H211	HE211	100 x 6	2	21	
																	2211K	H311	HE311	100 x 8	1		
																	22211K	H311	HE311	100 x 8	1		
TH513	2-1/4	60	152.40	68	171	86	110	32	57	114	25	82	102	133	28.5	19.05	1213K	H213	HE213	120 x 10	2	21	
																	2213K	H313	HE313	120 x 12	1		
																	22213K	H313	HE313	120 x 12	1		
TH515	2-1/2	65	165	68	185	90	120	32	65	115	30	90	110	155	30.1	19.05	1215K	H215	HE215	130 x 8	2	21	
																	2215K	H315	HE315	130 x 10	1		
																	22215K	H315	HE315	130 x 10	1		
TH516	2-3/4	70	197	79.4	222	105	135	41	73	140	28	102	121	159	36.5	22.2	1216K	H216	HE216	140 x 8.5	2	24	
																	2216K	H316	HE316	140 x 10	1		
																	22216K	H316	HE316	140 x 10	1		
TH517	3	75	197	79.4	222	105	135	41	73	140	28	102	124	162	41.3	22.2	1217K	H217	HE217	150 x 9	2	24	
																	2217K	H317	HE317	150 x 10	1		
																	22217K	H317	HE317	150 x 10	1		
TH518	3-1/4	80	196.9	77	222	106	140	41	76	152	32	108	121	159	39.7	25.4	1218K	H218	HE218	160 x 16.2	2	27	
																	2218K	H318	HE318	160 x 11.2	2		
																	22218K	H318	HE318	160 x 11.2	2		
TH520	3-1/2	90	212.7	77	241	106	152	41	77	152	35	117	122	160	44.4	28.57	1220K	H220	HE220	180 x 12.1	1	30	
																				180 x 10	1		
																	2220K	H320	HE320	180 x 10	1		
																	22220K	H320	HE320	180 x 10	1		
TH522	4	100	241.30	90.49	279	128	190	44	89	203	38	127	156	194	50.8	31.75	1222K	H222	HE222	200 x 21	2	33.5	
																	2222K	H322	HE322	200 x 13.5	2		
																	22222K	H322	HE322	200 x 13.5	2		

Unless specified "B" type covers supplied. One housing per set should include spacer rings.

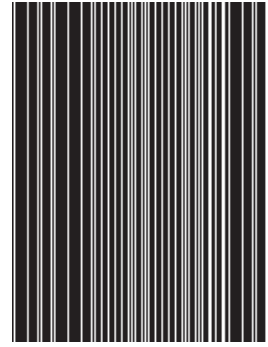
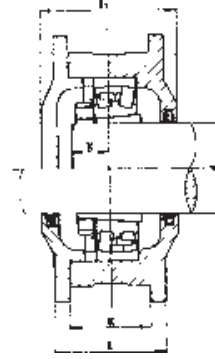
HOUSINGS

Take-Up housings Series THM 500 Medium Duty Metric



Felt Seal Standard on THM Housings.

Labyrinth LS Seal & LS Taconite Seals Available Against Order.



Unit No.	Shaft Dia. d (mm)	Dimensions (mm)														Pin Dia.	Bearing No.		Adapter Sleeve Metric	Spacer Ring No.	Hole Dia.
		E	K	A	L	H	O	G	B	Q	R	L1	L2	X	Ball		Roller				
THM508	35	104	54	124	75	76	29	51	89	25	53	83	114	24	20	1208K		H208	80 x 7.5	2	21
																2208K		H308	80 x 10	1	
THM509	40	104	54	124	75	76	29	51	89	25	53	83	114	25	20	1209K		H209	85 x 6	2	21
																2209K		H309	85 x 8	1	
																	22209K	H309	85 x 8	1	
THM510	45	120	54	140	75	90	30	51	100	25	65	90	120	26	20	1210K		H210	90 x 6.5	2	21
																2210K		H310	90 x 10	1	
																	22210K	H310	90 x 10	1	
THM511	50	120	54	140	75	90	30	51	100	25	65	90	120	27.0	20	1211K		H211	100 x 6	2	21
																2211K		H311	100 x 8	1	
																	22211K	H311	100 x 8	1	
THM512	55	150	68	170	85	110	30	60	115	25	80	100	130	28	20	1212K		H212	110 x 8	2	21
																2212K		H312	110 x 10	1	
																	22212K	H312	110 x 10	1	
THM513	60	150	68	170	85	110	30	60	115	25	80	100	135	32	20	1213K		H213	120 x 10	2	21
																2213K		H313	120 x 12	1	
																	22213K	H313	120 x 12	1	
THM515	65	165	68	185	90	120	30	65	115	30	90	110	155	32	20	1215K		H215	130 x 8	2	21
																2215K		H315	130 x 10	1	
																	22215K	H315	130 x 10	1	
THM516	70	195	78	220	105	135	40	75	140	30	100	120	164	36.5	20	1216K		H216	140 x 8.5	2	21
																2216K		H316	140 x 10	1	
																	22216K	H316	140 x 10	1	
THM517	75	195	78	220	105	135	40	75	140	30	100	120	164	41	20	1217K		H217	150 x 9	2	21
																2217K		H317	150 x 10	1	
																	22217K	H317	150 x 10	1	
THM518	80	195	78	220	105	140	40	80	150	30	105	135	159	44.5	20	1218K		H218	160 x 7	2	21
																2218K		H318	160 x 12	2	
																	22218K	H318	160 x 12	2	
THM520	90	210	93	250	123	165	45	90	150	35	120	145	195	49.5	24	1220K		H220	180 x 18.1	2	25
																2220K		H320	180 x 12.1	2	
																	22220K	H320	180 x 12.1	2	
THM522	100	240	93	280	128	180	45	100	160	45	127	158	203	54	24	1222K		H222	200 x 21	2	25
																2222K		H322	200 x 13.5	2	25
																	22222K	H322	200 x 13.5	2	
THM524	110	255	97	286	133	200	45	94	216	44	140	165	210	59	35	22224K		H3124	215 x 14	2	36
																	23224K	H2324	215 x 10	1	
																	22226K	H3126	230 x 13	2	39
THM526	115	270	102	300	140	210	45	100	230	50	146	184	226	62	38	23226K		H2326	230 x 10	1	
																	22228K	H3128	250 x 15	2	41
																	23228K	H2328	250 x 10	1	
THM528	125	305	103	330	146	220	50	100	222	50	155	189	246	65	40	22230K		H3130	270 x 16.5	2	51
																	22230K	H2330	270 x 10	1	
																	22232K	H3132	290 x 17	2	51
THM530	135	330	93	370	146	235	51	120	280	57	178	201	247	68	50	22232K		H2332	290 x 10	1	
																	23232K	H2332	290 x 10	1	

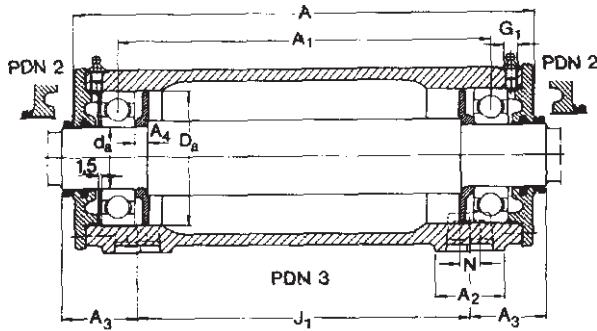
Unless specified "B" type open covers supplied.

One housing per set should include spacer rings.

Larger THM size housings to suit 231 series are available on request.

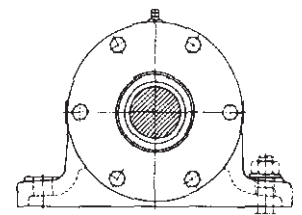
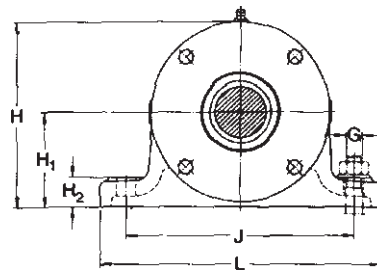
HOUSINGS

PDN Two-Bearing Housings Shaft Dia. 25-90 mm



Housings up to and including
PDN 211 AND PDN 309.

Housings from PDN 212
and PDN 310

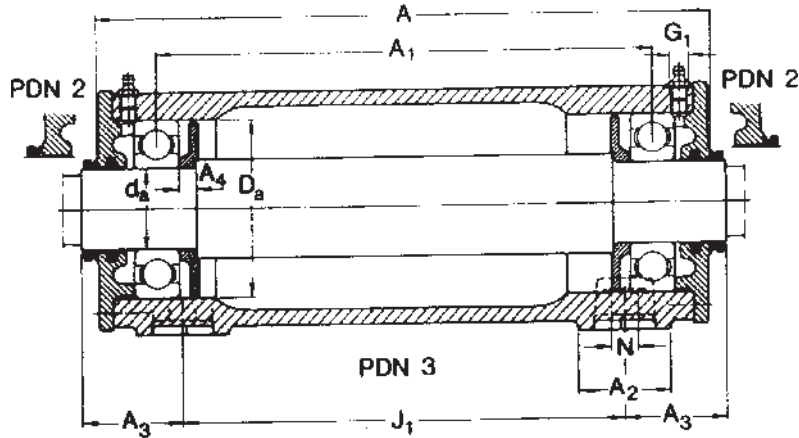


Shaft Dia. d_a	Designation	Housing Dimensions														Mass	
		A	A ₁	A ₂	A ₃	A ₄	D _a	H	H ₁	H ₂	J	J ₁	L	N	G		G ₁
25	PDN 305	202	146.5	35	40.5	7	62	95	50	16	120	135	155	12	10	G 1/8	5.10
30	PDN 206	197	147.5	35	37.5	7	62	95	50	16	120	135	155	12	10	G 1/8	5.10
	PDN 306	226	171.5	40	45	7	72	100	50	18	130	150	160	15	12	G 1/8	6.50
35	PDN 207	227	173.5	40	45	7	72	100	50	18	130	150	160	15	12	G 1/8	6.50
	PDN 307	260	195.5	45	49.5	8	80	116	60	18	150	175	190	15	12	G 1/8	9.10
40	PDN 208	259	198.5	45	49.5	8	80	116	60	18	150	175	190	15	12	G 1/8	9.30
	PDN 308	315	255.5	52	53	10	90	121	60	20	150	225	190	15	12	G 1/8	12.5
45	PDN 309	360	279.5	52	63	10	100	137	70	22	170	250	210	15	12	G 1/8	15.0
50	PDN 210	314	258.5	52	52	10	90	121	60	20	150	225	190	15	12	G 1/8	12.5
	PDN 310	377	311.5	60	59	10	110	142	70	25	170	275	210	15	12	G 1/8	18.0
55	PDN 211	356	283.5	52	60.5	10	100	137	70	22	170	250	210	15	12	G 1/8	15.0
	PDN 311	422	335.5	60	69	10	120	158	80	25	210	300	260	19	16	G 1/8	23.0
60	PDN 212	376	316.5	60	58	10	110	142	70	25	170	275	210	15	12	G 1/8	18.0
	PDN 312	460	383.5	70	68	10	130	165	80	25	210	340	260	19	16	G 1/8	32.5
65	PDN 313	492	402.5	70	74	11	140	185	95	25	230	360	280	19	16	G 1/4	32.0
70	PDN 214	459	390.5	70	69	10	125	165	80	25	210	340	260	19	16	G 1/8	34.5
	PDN 314	512	420.5	70	76	11	150	190	95	25	230	380	290	19	16	G 1/4	38.0
75	PDN 215	459	389.5	70	69	10	130	165	80	25	210	340	260	19	16	G 1/8	32.0
	PDN 315	547	448.5	80	83.5	12	160	200	100	30	260	400	320	19	16	G 1/4	43.5
80	PDN 216	493	409.5	70	76	11	140	185	95	25	230	360	280	19	16	G 1/4	31.0
	PDN 316	556	466.5	80	78	12	170	220	112	30	260	420	320	19	16	G 1/4	49.5
85	PDN 317	590	486	80	85	12	180	225	112	30	290	440	350	19	16	G 1/4	61.0
90	PDN 218	543	455.5	80	81	12	160	200	100	30	260	400	320	19	16	G 1/4	42.5
	PDN 318	605	510	85	82.5	11	190	230	112	30	290	460	350	19	16	G 1/4	71.0

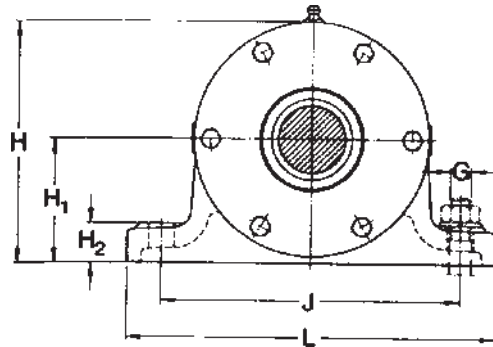
Shaft Dia. d_a	Appropriate Bearing	Separate Components			Two-Bearing Unit**		Permissible Speed, grease lub.	Mass
		Spring Washer*	V-ring	Felt Strip	Designations Unit, incl. shaft	Shaft		
25	6305	WF-62	V-25 A	FS 190	PDNB 305	VJ-PDNB 305	11000	7.00
30	6206	WF-62	V-30 A	FS 190	PDNB 206	VJ-PDNB 206	10000	7.40
	6306	WF-72	V-30 A	FS 190	PDNB 306	VJ-PDNB 306	9000	9.60
35	6207	WF-72	V-35 A		PDNB 207	VJ-PDNB 207	9000	10.0
	6307	WF-80	V-35 A	FS 190	PDNB 307	VJ-PDNB 307	8500	13.5
40	6208	WF-80	V-40 A		PDNB 208	VJ-PDNB 208	8500	14.5
	6308	WF-90	V-40 A	FS 190	PDNB 308	VJ-PDNB 308	7500	19.5
45	6309	WF-100	V-45 A	FS 190	PDNB 309	VJ-PDNB 309	6700	24.0
50	6210	WF-90	V-50 A		PDNB 210	VJ-PDNB 210	7000	22.5
	6310	WF-110	V-50 A	FS 260	PDNB 310	VJ-PDNB 310	6300	29.5
55	6211	WF-100	V-55 A		PDNB 211	VJ-PDNB 211	6300	27.5
	6311	WF-120	V-55 A	FS 260	PDNB 311	VJ-PDNB 311	5600	39.5
60	6212	WF-110	V-60 A		PDNB 212	VJ-PDNB 212	6000	33.0
	6312	WF-130	V-60 A	FS 260	PDNB 312	VJ-PDNB 312	5000	52.5
65	6313	WF-140	V-65 A	FS 260	PDNB 313	VJ-PDNB 313	4800	57.0
70	6214	WF-125	V-70 A		PDNB 214	VJ-PDNB 214	5000	60.5
	6314	WF-150	V-70 A	FS 330	PDNB 314	VJ-PDNB 314	4500	68.5
75	6215	WF-130	V-75 A		PDNB 215	VJ-PDNB 215	4800	62.0
	6315	WF-160	V-75 A	FS 330	PDNB 315	VJ-PDNB 315	4300	80.5
80	6216	WF-140	V-80 A		PDNB 216	VJ-PDNB 216	4500	67.0
	6316	WF-170	V-80 A	FS 330	PDNB 316	VJ-PDNB 316	3800	92.0
85	6317		V-85 A	FS 330	PDNB 317	VJ-PDNB 317	3600	115
90	6218	WF-160	V-90 A		PDNB 218	VJ-PDNB 218	3800	96.5
	6318		V-90 A	FS 370	PDNB 318	VJ-PDNB 318	3400	135

* No spring washer is supplied with housings PDN 317 and PDN 318.

** Two-bearing units complete with shaft and bearings assembled ready for mounting can be supplied.



Shaft Dia. d_a	Designation	Housing Dimensions														Mass	
		A	A ₁	A ₂	A ₃	A ₄	D _a	H	H ₁	H ₂	J	J ₁	L	N	G		G ₁
95	PDN 319	648	540	90	94	13	200	253	125	36	320	480	400	24	20	G 1/4	82.5
100	PDN 220	588	493	80	83.5	12	180	225	112	30	290	440	350	19	16	G 1/4	60.0
	PDN 320	673	570	95	96.5	11.5	215	264	130	40	320	500	400	24	20	G 1/4	92.5
110	PDN 222	634	547	90	88	13	200	253	125	36	320	480	400	24	20	G 1/4	81.0
	PDN 322	686	580	95	94.5	10	240	296	150	40	380	520	450	28	24	G 1/4	115
120	PDN 224	672	577	95	97	11.5	215	264	130	40	320	500	400	24	20	G 1/4	90.0
	PDN 324	707	600	100	96	11.5	260	322	160	40	410	538	500	35	30	G 1/4	135

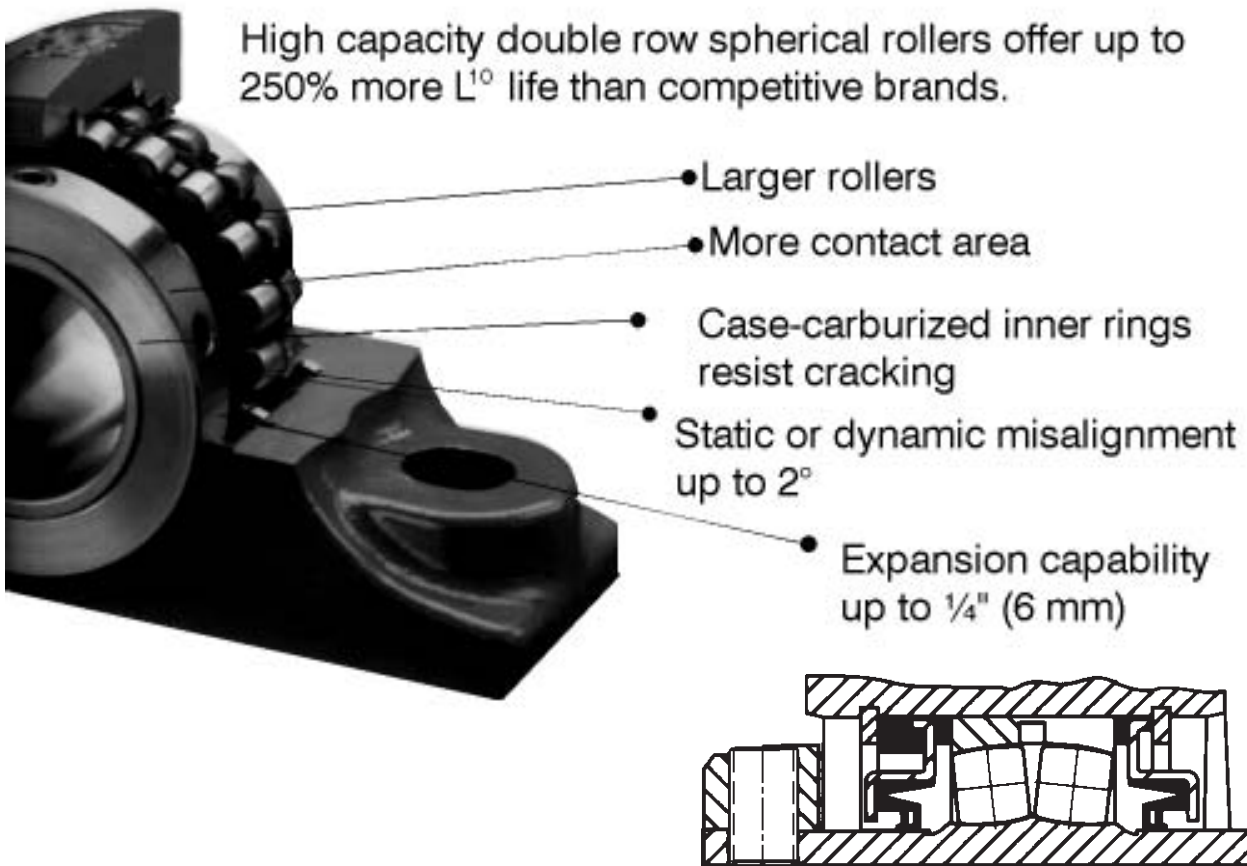


Shaft Dia. d_a	Appropriate Bearing	Separate Components V-ring	Components Felt Strip	Two-Bearing Unit*		Permissible Mass	
				Designations Unit, incl. shaft	Shaft	Speed, grease lub.	grease lub.
95	6319	V-95 A	FS 370	PDNB 319	VJ-PDNB 319	3200	155
100	6220	V-100 A		PDNB 220	VJ-PDNB 220	3400	130
	6320	V-100 A	FS 460	PDNB 320	VJ-PDNB 320	3000	175
110	6222	V-110 A		PDNB 222	VJ-PDNB 222	3000	175
	6322	V-110 A	FS 460	PDNB 322	VJ-PDNB 322	2600	225
120	6224	V-120 A		PDNB 224	VJ-PDNB 224	2800	205
	6324	V-120 A	FS 460	PDNB 324	VJ-PDNB 324	2400	275

**Two-bearing units complete with shaft and bearings assembled ready for mounting can be supplied.

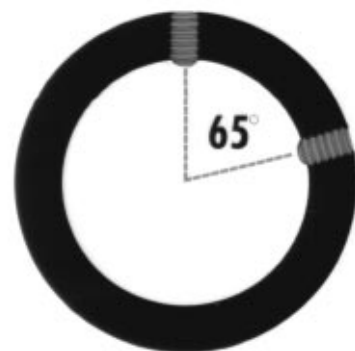
DODGE® UNITIZED SPHERICAL BEARINGS

Longer bearing life by design...



INSTALLATION SAVINGS ...

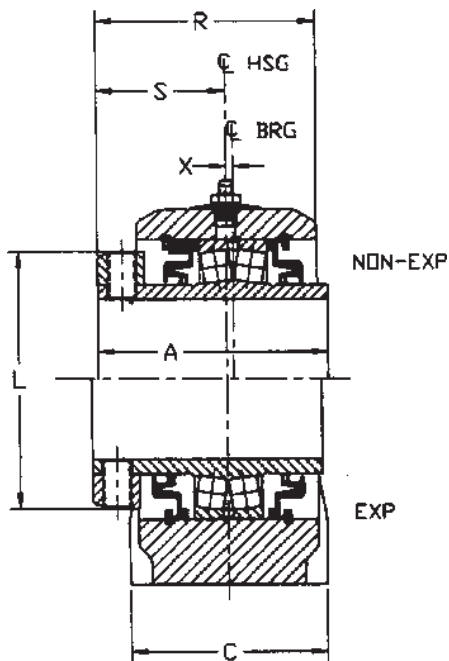
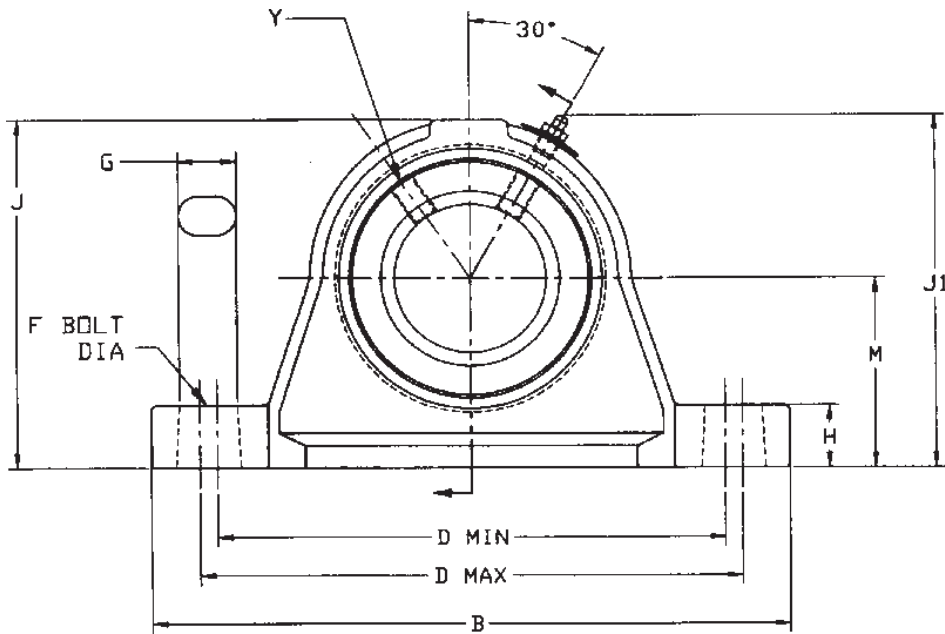
- Factory lubed, sealed and adjusted — ready to slip onto the shaft
- 65° Springlock collar mount for increased holding power versus 90° or 120°
- Field convertible from non-expansion to expansion through $3\frac{1}{2}$ "/90 mm
- Elongated bolt holes to facilitate mounting



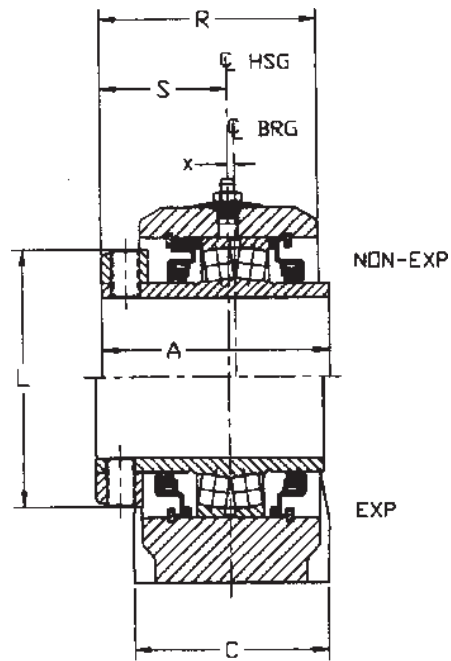
SN 2000

Dimensionally interchangeable with SN/SNU 500 Series

- Two-bolt plummer blocks available from 1-1/8 - 3-1/2", 30mm up to 90mm.
- Cast-in drilling location dimples for dowels or conversion from two-bolt to four-bolt mounting
- H7 bearing seats provide 25% tighter bearing support than H8 fits - for improved, higher speed performance.
- Stiff ductile, higher shock resistant iron housing has 65 000 PSI tensile strength and withstands lower ambient temperatures.



S2R SEAL



S2S SEAL

SN-2000 METRIC PLUMMER BLOCK ASSEMBLY interchange with SN/SNU 500 series

Shaft Size ³⁾	SN-2000 (S2R Seals) ¹⁾				SN-2000 (S2S Seals)				Approx. Wt./Kgs.
	Fixed Type		Exp. Type		Fixed Type		Exp. Type		
Part Ref.	Part No.	Part Ref.	Part No.	Part Ref. ²⁾	Part No.	Part Ref. ²⁾	Part No.		
30mm	046900	P2BSN2030MR	046913	P2BSN2030MRE	046926	P2BSN2030MS	046939	P2BSN2030MSE	4.0
35mm	046901	P2BSN2035MR	046914	P2BSN2035MRE	046927	P2BSN2035MS	046940	P2BSN2035MSE	3.6
40mm	046902	P2BSN2040MR	046915	P2BSN2040MRE	046928	P2BSN2040MS	046941	P2BSN2040MSE	4.5
45mm	046903	P2BSN2045MR	046916	P2BSN2045MRE	046929	P2BSN2045MS	046942	P2BSN2045MSE	4.5
50mm	046904	P2BSN2050MR	046917	P2BSN2050MRE	046930	P2BSN2050MS	046943	P2BSN2050MSE	5.5
55mm	046905	P2BSN2055MR	046918	P2BSN2055MRE	046931	P2BSN2055MS	046944	P2BSN2055MSE	6.0
60mm	046906	P2BSN2060MR	046919	P2BSN2060MRE	046932	P2BSN2060MS	046945	P2BSN2060MSE	9.0
65mm	046907	P2BSN2065MR	046920	P2BSN2065MRE	046933	P2BSN2065MS	046946	P2BSN2065MSE	8.5
70mm	046908	P2BSN2070MR	046921	P2BSN2070MRE	046934	P2BSN2070MS	046947	P2BSN2070MSE	13.0
75mm	046909	P2BSN2075MR	046922	P2BSN2075MRE	046935	P2BSN2075MS	046948	P2BSN2075MSE	12.5
80mm	046910	P2BSN2080MR	046923	P2BSN2080MRE	046936	P2BSN2080MS	046949	P2BSN2080MSE	16.5
85mm	046911	P2BSN2085MR	046924	P2BSN2085MRE	046937	P2BSN2085MS	046950	P2BSN2085MSE	16.0
90mm	046912	P2BSN2090MR	046925	P2BSN2090MRE	046938	P2BSN2090MS	046951	P2BSN2090MSE	15.7

¹⁾ Furnished unless otherwise specified.

²⁾ Assembled to order. Consult Dodge for delivery.

³⁾ Consult Dodge for sizes not listed.

SN-2000 METRIC PLUMMER BLOCK DIMENSIONS

Shaft Size	D				F Bolt Max. mm	Dia. mm	Y Set Screw Size									
	A mm	B mm	C mm	Min. mm			G mm	H mm	J mm	J1 mm	L mm	M mm	R mm	S mm	X mm	
30mm	74.6	185	52	145	155	M12	20	22	100	106	70	50	73	44	1.60	M8x16
35mm	74.6	205	60	165	175	M12	20	25	111	117	70	60	74	44	1.60	M8x16
40mm	81.0	205	60	166	175	M12	19	25	114	120	81	60	76	45	3.18	M8x16
45mm																
50mm	81.0	254	68	203	216	M16	25	28	129	134	87	70	78	45	3.18	M10x16
55mm	85.7	254	68	203	216	M16	25	30	134	135	95	70	82	49	3.18	M10x20
60mm	92.1	275	79	216	235	M16	28	30	154	157	103	80	92	52	3.18	M10x20
65mm																
70mm	104.8	316	89	245	268	M20	34	32	174	177	120	95	101	59	3.18	M12x25
75mm																
80mm	114.3	345	98	279	294	M20	29	35	194	194	140	100	110	64	3.18	M12x30
85mm	114.3	345	99	279	294	M20	29	35	209	209	140	112	110	64	3.18	M12x25
90mm	114.3	380	109	314	327	M24	33	40	209	209	140	112	110	64	3.18	M12x25

• Offset of non-expansion bearing to centre of housing.

SN-2000 PILLOW BLOCK 2-BOLT BASE - INCH interchange with SN/SNU 500 series

Shaft Size inch	S2R Seals*				S2S Seals				Approx. Wt./Lbs.
	Non-Expansion*		Expansion		Non-Expansion		Expansion		
	Part Ref.	Part No.	Part Ref.	Part No.	Part Ref.	Part No.	Part Ref.	Part No.	
1-1/8	047700	P2B-SN2-102R	047725	P2B-SN2-102RE	047750	P2B-SN2-102S	047775	P2B-SN2-102SE	8.03
1-3/16	047701	P2B-SN2-103R	047726	P2B-SN2-103RE	047751	P2B-SN2-103S	047776	P2B-SN2-103SE	8.00
1-1/4	047702	P2B-SN2-104R	047727	P2B-SN2-104RE	047752	P2B-SN2-104S	047777	P2B-SN2-104SE	7.00
1-3/8	047703	P2B-SN2-106R	047728	P2B-SN2-106RE	047753	P2B-SN2-106S	047778	P2B-SN2-106SE	7.01
1-7/16	047704	P2B-SN2-107R	047729	P2B-SN2-107RE	047754	P2B-SN2-107S	047779	P2B-SN2-107SE	7.09
1-1/2	047705	P2B-SN2-108R	047730	P2B-SN2-108RE	047755	P2B-SN2-108S	047780	P2B-SN2-108SE	7.08
1-5/8	047706	P2B-SN2-110R	047731	P2B-SN2-110RE	047756	P2B-SN2-110S	047781	P2B-SN2-110SE	9.00
1-11/16	047707	P2B-SN2-111R	047732	P2B-SN2-111RE	047757	P2B-SN2-111S	047782	P2B-SN2-111SE	8.75
1-3/4	047708	P2B-SN2-112R	047733	P2B-SN2-112RE	047758	P2B-SN2-112S	047783	P2B-SN2-112SE	8.75
1-7/8	047709	P2B-SN2-114R	047734	P2B-SN2-114RE	047759	P2B-SN2-114S	047784	P2B-SN2-114SE	11.06
1-15/16	047710	P2B-SN2-115R	047735	P2B-SN2-115RE	047760	P2B-SN2-115S	047785	P2B-SN2-115SE	10.80
2	047711	P2B-SN2-200R	047736	P2B-SN2-200RE	047761	P2B-SN2-200S	047786	P2B-SN2-200SE	11.01
2-3/16	047712	P2B-SN2-203R	047737	P2B-SN2-203RE	047762	P2B-SN2-203S	047787	P2B-SN2-203SE	12.00
2-1/4	047713	P2B-SN2-204R	047738	P2B-SN2-204RE	047763	P2B-SN2-204S	047788	P2B-SN2-204SE	13.00
2-3/8	047714	P2B-SN2-206R	047739	P2B-SN2-206RE	047764	P2B-SN2-206S	047789	P2B-SN2-206SE	17.00
2-7/16	047715	P2B-SN2-207R	047740	P2B-SN2-207RE	047765	P2B-SN2-207S	047790	P2B-SN2-207SE	17.00
2-1/2	047716	P2B-SN2-208R	047741	P2B-SN2-208RE	047766	P2B-SN2-208S	047791	P2B-SN2-208SE	17.00
2-11/16	047717	P2B-SN2-211R	047742	P2B-SN2-211RE	047767	P2B-SN2-211S	047792	P2B-SN2-211SE	26.00
2-3/4	047718	P2B-SN2-212R	047743	P2B-SN2-212RE	047768	P2B-SN2-212S	047793	P2B-SN2-212SE	26.03
2-15/16	047719	P2B-SN2-215R	047744	P2B-SN2-215RE	047769	P2B-SN2-215S	047794	P2B-SN2-215SE	25.25
3	047720	P2B-SN2-300R	047745	P2B-SN2-300RE	047770	P2B-SN2-300S	047795	P2B-SN2-300SE	25.00
3-3/16	047721	P2B-SN2-303R	047746	P2B-SN2-303RE	047771	P2B-SN2-303S	047796	P2B-SN2-303SE	33.00
3-1/4	047722	P2B-SN2-304R	047747	P2B-SN2-304RE	047772	P2B-SN2-304S	047797	P2B-SN2-304SE	33.00
3-7/16	047723	P2B-SN2-307R	047748	P2B-SN2-307RE	047773	P2B-SN2-307S	047798	P2B-SN2-307SE	35.00
3-1/2	047724	P2B-SN2-308R	047749	P2B-SN2-308RE	047774	P2B-SN2-308S	047799	P2B-SN2-308SE	35.00

* Furnished unless otherwise specified.

SN-2000 PILLOW BLOCK DIMENSIONS*

Shaft Size inch	D			F Bolt Dia.		G mm	H mm	J mm	J1 mm	L mm	M mm	R mm	S mm	X* mm	Y Set Screw Size	
	A mm	B mm	C mm	Min. mm	Max. mm											
1-1/8	74.6	185	52	145	155	M12	20	22	100	106	70	50	73	44	1.6	5/16-18x5/8
1-3/16																
1-1/4	74.6	205	60	165	175	M12	20	25	111	117	70	60	74	44	1.6	5/16-18x5/8
1-3/8																
1-7/16																
1-1/2																
1-5/8	81	205	60	166	175	M12	19	25	114	120	81	60	76	45	3.18	5/16-18x5/8
1-11/16																
1-3/4																
1-7/8	81	254	68	203	216	M16	25	28	129	134	87	70	78	45	3.18	3/8-16x3/4
1-15/16																
2																
2-3/16	85.7	254	68	203	216	M16	25	30	134	135	95	70	82	49	3.18	3/8-16x3/4
2-1/4																
2-3/8	92.1	275	79	216	235	M16	28	30	154	157	103	80	92	52	3.18	3/8-16x3/4
2-7/16																
2-1/2																
2-11/16	104.8	316	89	245	268	M20	34	32	174	177	120	95	101	59	3.18	1/2-13x7/8
2-3/4																
2-15/16																
3																
3-3/16	114.3	345	98	279	294	M20	29	35	194	194	140	100	110	64	3.18	1/2-13x1
3-1/4																
3-7/16	114.3	360	109	314	327	M24	33	40	209	209	140	112	110	64	3.18	1/2-13x1
3-1/2																

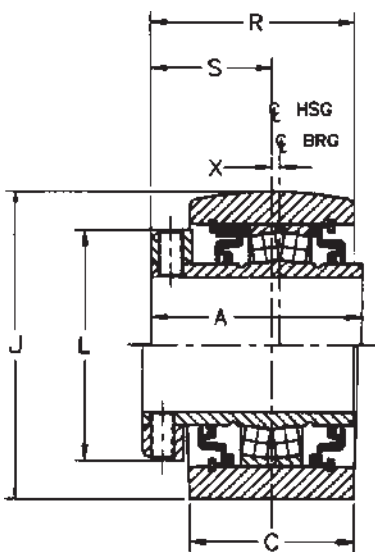
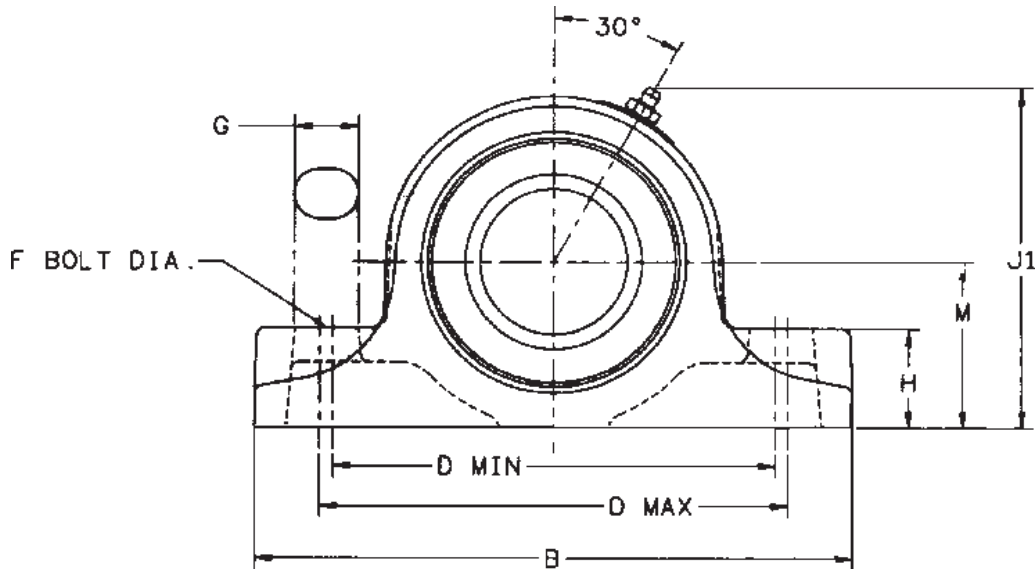
* Offset of non-expansion bearing to centre of housing.

• Dimension shown are for non-expansion units.

S 2000 Bearing

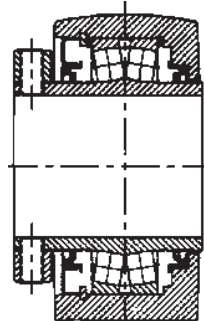
offers a wide variety of compact, grey iron constructions to choose from. All S 2000 bearings include:

- S2R and S2S seal options
- Easy installation features
- Extended life bearings

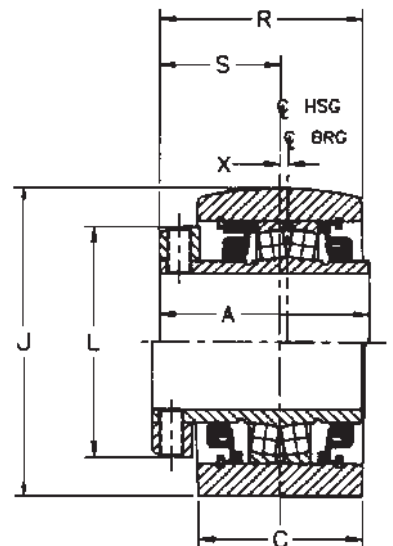


S2R SEALS

1 1/8" thru 3 1/2" Construction



3 11/16" thru 4" Construction
(S2R Seals Shown)



S2S SEALS

1 1/8" thru 3 1/2" Construction

S-2000 AND UNISPHERE II SPHERICAL ROLLER BEARINGS RADIAL AND THRUST FACTORS

Shaft Size inch	Basic Bearing Description	e	F _A /F _R < e		F _A /F _R > e		Max. Allow. Slip Fit Radial Load F _R * Lbs.	Dynamic Capacity (C) Lbs.	Maximum RPM			
			X	Y	X	Y			S-2000 S2S Seal	S-2000 S2R Seal	UNI-Sphere II	
1-1/8												
1-3/16												
1-1/4	22208	.28	1.0	2.4	.67	3.6	3,750	20,800	3,600	2,830	3,000	
1-3/8												
1-7/16												
1-1/2												
1-5/8												
1-11/16	22209	.26	1.0	2.6	.67	3.9	3,750	20,800	3,360	2,400	2,800	
1-3/4												
1-7/8												
1-15/16	22210	.24	1.0	2.8	.67	4.2	4,000	22,000	3,180	2,150	2,625	
2												
2-3/16	22211	.23	1.0	2.9	.67	4.3	4,860	27,000	2,700	1,900	2,325	
2-1/4												
2-3/8												
2-7/16	22213	.24	1.0	2.8	.67	4.2	6,840	38,000	2,160	1,700	1,900	
2-1/2												
2-11/16												
2-3/4	22215	.22	1.0	3.1	.67	4.6	7,500	41,500	2,040	1,450	1,700	
2-15/16												
3												
2-11/16												
3-1/4	22218	.23	1.0	2.9	.67	4.3	11,500	64,000	1,560	1,250	1,400	
3-7/16												
3-1/2												
3-11/16												
3-15/16	22220	.24	1.0	2.8	.67	4.2	14,400	80,000	1,320	1,050	1,250	
4												
4-7/16	22222	.25	1.0	2.7	.67	4.1	18,400	102,000	1,200	975	-	
4-1/2												
4-15/16	22226	.26	1.0	2.6	.67	3.9	25,700	143,000	1,020	850	-	
5												

* If load exceeds "Max. allowable slip fit load", line to line to light press fit of shaft required.
Maximum slip fit radial loads apply if recommended shaft sizes are used.

S-2000 INCH 2-BOLT PILLOW BLOCKS (NON-EXPANSION/EXPANSION TYPES)

Shaft Size ¹⁾	S2R Seals*				S2S Seals				Approx. Wt./Lbs.
	Non-Expansion*		Expansion		Non-Expansion		Expansion		
	Part Ref.	Part No.	Part Ref.	Part No.	Part Ref.	Part No.	Part Ref.	Part No.	
1-1/8	044608•	P2BS2102R	044636•	P2BS2102RE	045050•	P2BS2102S	045075•	P2BS2102SE	8.3
1-3/16	044609	P2BS2103R	044637	P2BS2103RE	045051	P2BS2103S	045076	P2BS2103SE	8.3
1-1/4	044610	P2BS2104R	044638	P2BS2104RE	045052•	P2BS2104S	045077•	P2BS2104SE	8.1
1-3/8	044611	P2BS2106R	044639	P2BS2106RE	045053•	P2BS2106S	045078•	P2BS2106SE	8.0
1-7/16	044612	P2BS2107R	044640	P2BS2107RE	045054	P2BS2107S	045079	P2BS2107SE	7.9
1-1/2	044613	P2BS2108R	044641	P2BS2108RE	045055	P2BS2108S	045080•	P2BS2108SE	7.8
1-5/8	044614•	P2BS2110R	044642	P2BS2110RE	045056•	P2BS2110S	045081•	P2BS2110SE	9.8
1-11/16	044615	P2BS2111R	044643	P2BS2111RE	045057	P2BS2111S	045082•	P2BS2111SE	9.7
1-3/4	044616	P2BS2112R	044644	P2BS2112RE	045058	P2BS2112S	045083•	P2BS2112SE	9.5
1-7/8	044617	P2BS2114R	044645•	P2BS2114RE	045059•	P2BS2114S	045084•	P2BS2114SE	11.6
1-15/16	044618	P2BS2115R	044646	P2BS2115RE	045060	P2BS2115S	045085	P2BS2115SE	11.4
2	044619	P2BS2200R	044647	P2BS2200RE	045061	P2BS2200S	045086	P2BS2200SE	11.1
2-3/16	044620	P2BS2203R	044648	P2BS2203RE	045062	P2BS2203S	045087	P2BS2203SE	12.0
2-1/4	044621	P2BS2204R	044649	P2BS2204RE	045063•	P2BS2204S	045088•	P2BS2204SE	12.0
2-3/8	044622•	P2BS2206R	044650•	P2BS2206RE	045064•	P2BS2206S	045089•	P2BS2206SE	18.2
2-7/16	044623	P2BS2207R	044651	P2BS2207RE	045065	P2BS2207S	045090	P2BS2207SE	18.0
2-1/2	044624	P2BS2208R	044652	P2BS2208RE	045066	P2BS2208S	045091•	P2BS2208SE	17.8
2-11/16	044625	P2BS2211R	044653	P2BS2211RE	045067	P2BS2211S	045092	P2BS2211SE	26.6
2-3/4	044626•	P2BS2212R	044654•	P2BS2212RE	045068•	P2BS2212S	045093•	P2BS2212SE	26.3
2-15/16	044627	P2BS2215R	044655	P2BS2215RE	045069	P2BS2215S	045094	P2BS2215SE	25.3
3	044628	P2BS2300R	044656•	P2BS2300RE	045070	P2BS2300S	045095•	P2BS2300SE	25.0
3-3/16	044629	P2BS2303R	044657	P2BS2303RE	045071	P2BS2303S	045096•	P2BS2303SE	33.0
3-1/4	044630	P2BS2304R	044658•	P2BS2304RE	045072•	P2BS2304S	045097•	P2BS2304SE	33.0
3-7/16	044631	P2BS2307R	044659	P2BS2307RE	045073	P2BS2307S	045098	P2BS2307SE	32.0
3-1/2	044632	P2BS2308R	044660	P2BS2308RE	045074•	P2BS2308S	045099•	P2BS2308SE	32.0
3-11/16	044633	P2BS2311R	044661•	P2BS2311RE	042758	P2BS2311S	042783	P2BS2311SE	48.0
3-15/16	044634	P2BS2315R	044662	P2BS2315RE	042759	P2BS2315S	042784	P2BS2315SE	48.0
4	044635	P2BS2400R	044663	P2BS2400RE	042760	P2BS2400S	042785	P2BS2400SE	48.0

* Furnished unless otherwise specified.
¹⁾ Consult Dodge for sizes not listed.

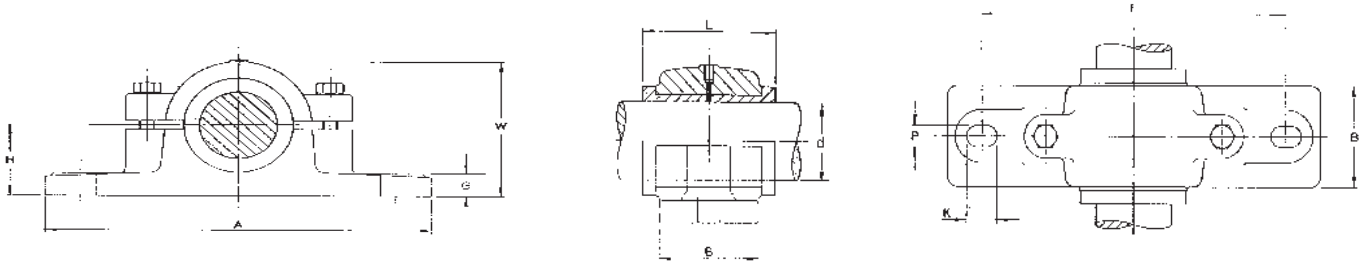
• Assembled to order size. Consult Dodge for delivery.

S-2000 2-BOLT PILLOW BLOCK DIMENSIONS (INCHES)•

Shaft Size	D		C	F Bolt Dia.		G	H	J	J1	L	M	R	S	X	
	A	B		Min.	Max.										
1-1/8															
1-3/16															
1-1/4	2-15/16	6-7/8	2-13/32	4-13/16	5-3/16	1/2	13/16	1-1/8	3-7/8	4-1/8	2-3/4	1-7/8	2-31/32	1-23/32	1/16
1-3/8															
1-7/16															
1-1/2															
1-5/8															
1-11/16	3-3/16	7-3/8	2-33/64	5-5/16	5-11/16	1/2	13/16	1-1/4	4-1/4	4-31/64	3-3/16	2-1/8	3-3/32	1-25/32	1/8
1-3/4															
1-7/8															
1-15/16	3-3/16	8-3/8	2-1/2	6-1/16	6-7/16	5/8	15/16	1-5/16	4-9/16	4-49/64	3-7/16	2-1/4	3-3/32	1-25/32	1/8
2															
2-3/16	3-3/8	8-7/8	2-5/8	6-9/16	6-15/16	5/8	15/16	1-1/2	5	5-3/16	3-3/4	2-1/2	3-5/16	1-15/16	1/8
2-1/4															
2-3/8															
2-7/16	3-5/8	9-1/4	2-55/64	6-15/16	7-5/16	5/8	15/16	1-5/8	5-1/16	5-13/16	4-1/16	2-3/4	3-9/16	2-1/16	1/8
2-1/2															
2-11/16															
2-3/4	4-1/8	10-7/16	3-5/64	7-15/16	8-5/16	3/4	1-1/16	1-7/8	6-7/16	6-33/64	4-23/32	3-1/4	3-15/16	2-5/16	1/8
2-15/16															
3															
3-3/16															
3-1/4	4-1/2	13	3-27/64	9-3/8	10-5/8	7/8	1-5/8	2-1/4	7-1/2	7-33/64	5-1/2	3-3/4	4-11/32	2-17/32	1/8
3-7/16															
3-1/2															
3-11/16															
3-15/16	5-3/16	15-1/4	3-29/32	10-5/8	12-7/8	1	2-1/4	2-7/16	8-1/16	8-25/64	6-15/32	4-1/4	5-1/8	3-1/16	0
4															

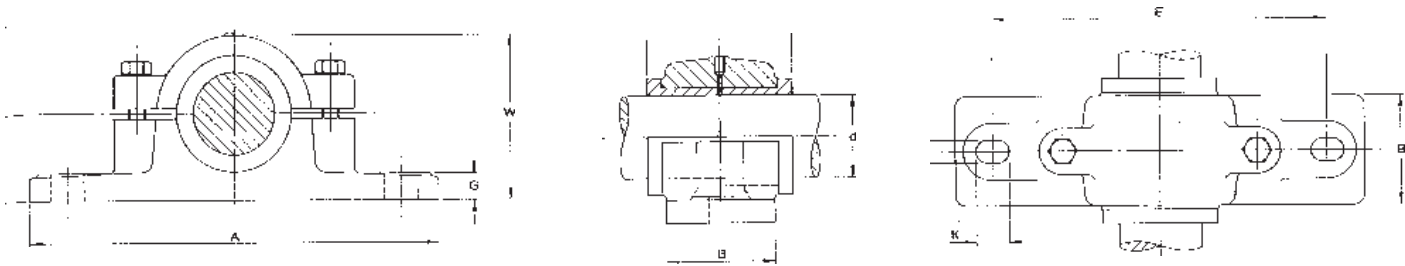
• Dimensions shown are for non-expansion units. The Expansion Bearing Centre and Housing Centre are on the same centreline.

Light Series



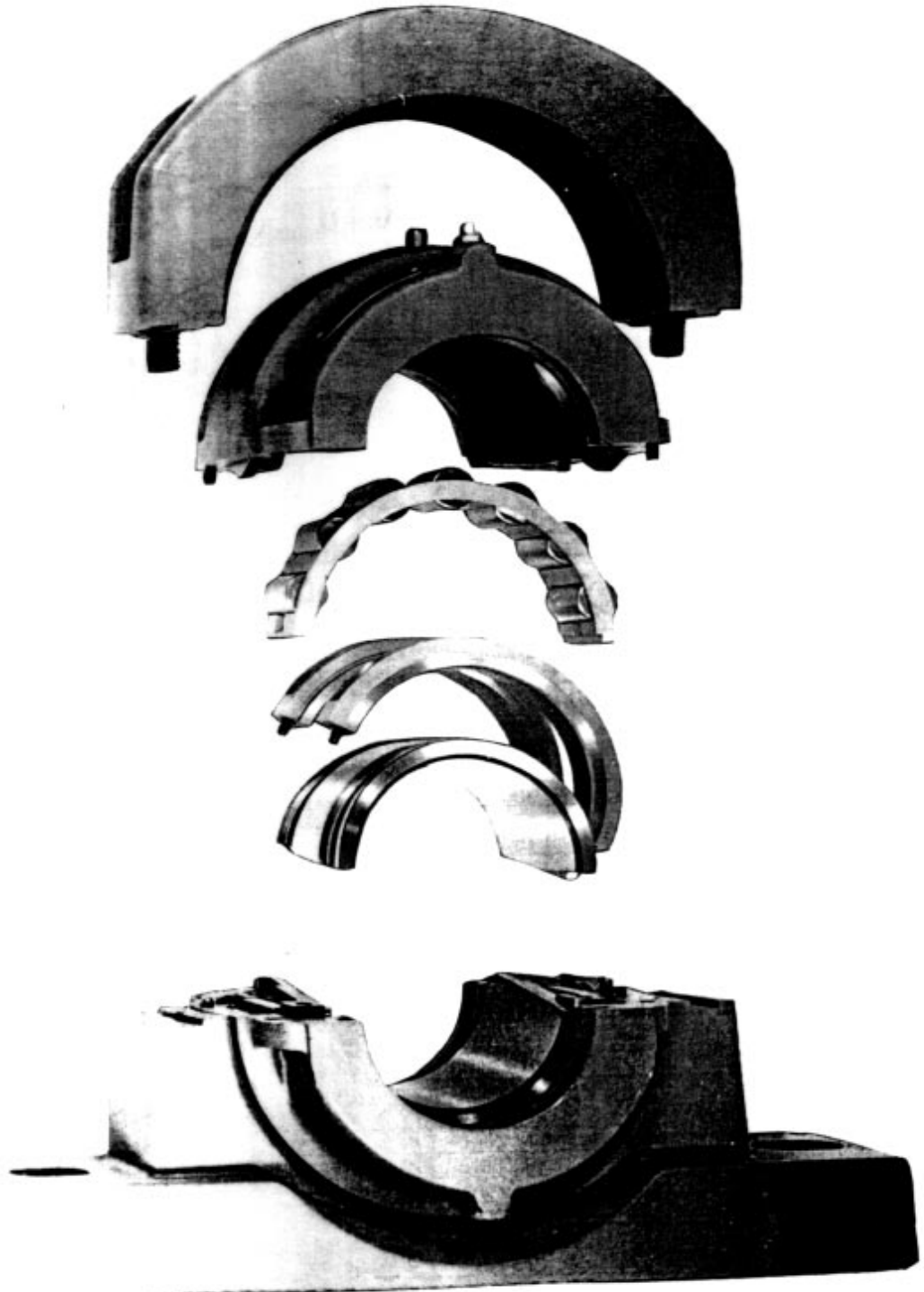
Shaft Dia. d (in)	Dimensions (mm)									Bolt Dia. (in.) 2 Bolt
	A	B	E	G	H	W	L	P	K	
1	158.8	27.0	130.2	12.7	31.8	63.5	38.1	11.1	15.9	3/8
1-1/8	158.8	31.8	130.2	12.7	34.9	69.9	42.9	11.1	15.9	3/8
1-1/4	184.2	34.4	146.1	14.3	38.1	76.2	47.6	12.7	18.3	7/16
1-3/8	184.2	39.7	152.4	14.3	39.7	79.4	52.4	12.7	18.3	7/16
1-1/2	209.6	44.5	171.5	14.3	41.3	82.6	57.2	14.3	20.6	1/2
1-3/4	236.6	52.4	193.7	15.9	47.7	95.3	66.7	14.3	20.6	1/2
2	254.0	60.4	209.6	17.5	50.8	101.6	76.2	17.5	25.4	5/8
2-1/4	273.1	68.3	222.3	19.1	60.1	120.7	85.7	17.5	25.4	5/8
2-1/2	292.1	76.2	238.2	19.1	61.9	123.8	95.3	17.5	25.4	5/8
2-3/4	314.4	84.2	260.4	20.7	68.3	136.5	104.8	17.5	25.4	5/8
3	331.8	92.1	276.3	22.3	73.1	146.1	114.3	20.6	30.2	3/4

Heavy Series



Shaft Dia. d (in)	Dimensions (mm)									Bolt Dia. (in.) 2 Bolt
	A	B	E	G	H	W	L	P	K	
1-1/2	212.7	49.21	163.5	9.5	44.5	88.9	73.0	14.3	20.6	1/2
1-3/4	254.0	60.3	208.0	17.46	50.8	101.6	82.6	14.3	20.6	1/2
2	273.1	68.3	222.3	19.1	57.2	114.3	92.1	17.5	25.4	5/8
2-1/4	292.1	76.2	239.7	19.1	60.3	120.7	101.6	17.5	25.4	5/8
2-1/2	314.3	84.2	257.2	20.6	66.7	133.4	111.2	17.5	25.4	5/8
2-3/4	333.4	92.1	274.6	22.2	71.4	142.9	120.7	17.5	25.4	5/8
3	352.4	100.0	295.3	23.8	79.4	158.8	130.2	20.6	30.2	3/4
3-1/4	371.5	106.4	311.2	25.4	85.7	171.5	139.7	20.6	30.2	3/4
3-1/2	390.5	112.7	333.4	27.0	88.9	177.8	149.3	20.6	30.2	3/4
4	466.7	123.8	373.1	31.8	100.0	200.0	168.3	28.6	41.3	1
4-1/2	498.5	136.5	415.9	36.5	108.0	215.9	187.3	31.8	46.0	1-1/8
5	558.8	154.0	454.0	38.1	120.7	241.3	207.4	35.0	50.8	1-1/4
5-1/2	596.9	165.1	488.9	44.5	127.0	254.0	225.4	41.3	60.3	1-1/2
6	635.0	177.8	517.5	47.6	139.7	279.40	244.5	41.3	60.3	1-1/2

COOPER SPLIT BEARING UNITS



COOPER SPLIT BEARING UNITS

Cooper Split Roller Bearings

The Cooper Split Roller Bearing uses cylindrical rollers with modified line contact and has its main components made in halves. Simple assembly of these halves round the shaft eliminates axial threading involved with solid bearings and all special machining threaded portions and locknuts - it enables shafting to be designed solely to strength requirements and is a unique asset in the development of less costly, lighter and more efficient machines.

Easily fitted to recessed shafts, crankpins and many applications where the installation of a solid bearing would be impractical or impossible. Cooper Split Roller Bearings are also preferred in countless other applications for their exceptional reliability and simple maintenance - every part of the bearing, including the rolling surfaces, can be inspected or the bearing quickly replaced without disturbing any other equipment on the shaft.

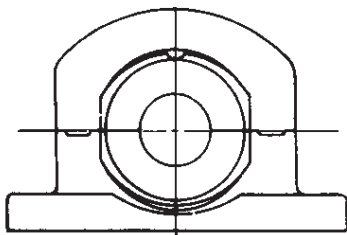
The bearing races and rollers are made from first quality carbon chrome steel, through hardened and precision finished. Races have angled joints to ensure continuity of contact with the rollers. Cage halves are made from light alloy or bronze and joined by spring steel clips.

Types of Bearings

Standard Cooper Split Roller Bearings are supplied as bearings only or in swivel cartridges with various forms of pedestals, flanges, take-ups and rod ends.

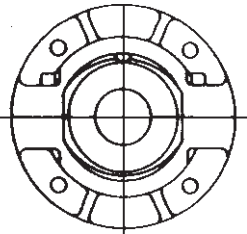
Series 01 and 02 Cooper split roller bearings have been developed to provide a wider range of application and supersede the Medium and Heavy SN/SNA series in sizes up to 150mm (6"). Bearing maximum speeds are increased through the new production techniques and grooved inner races introduced on Expansion EX bearings, thereby raising their ratings. Bearings and cartridges in the new series have a high degree of interchangeability with the corresponding Medium and Heavy Series SN/SNA Housings.

Pedestals are generally to ISO dimensions and, where interchangeability with Medium and Heavy series is necessary, pedestal bases with modified height to centreline (H2) can be supplied. For details of other series and sizes of Cooper roller bearings up to 1500mm (60") shaft dia., catalogues or dimensions will be supplied on request.



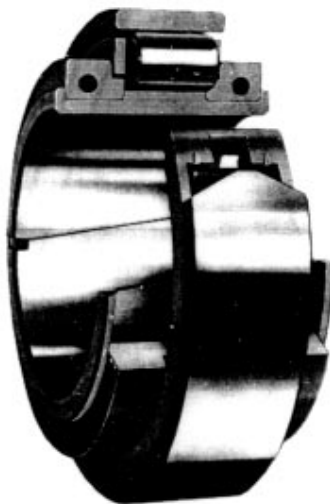
PEDESTAL P

For common applications calling for simple mounting, where loadings are mainly through the base.



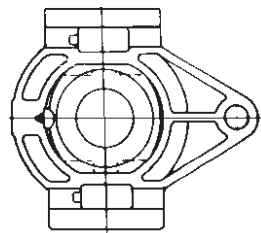
FLANGE FL

These units provide a simple method for mounting against a vertical or horizontal face.



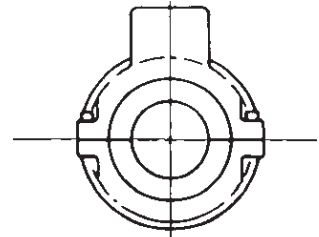
EXPANSION EX

Bearings for radial load only. The inner race and shaft have axial freedom.



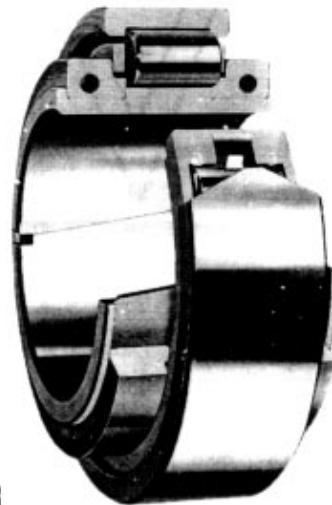
TAKE-UP TU

An efficient means of tensioning the pulley of conveyors and elevators.



HANGER H

A compact means of supporting the shafts of screw conveyors and similar equipment.



FIXED GR

Bearings for radial and axial loads. Positions the shaft endwise and resists axial thrust by cycloidal contact of the roller ends within the outer race groove and the inner face of the clamping rings.

COOPER SPLIT BEARING UNITS

10 GOOD REASONS TO FIT COOPER SPLIT ROLLER BEARINGS

1. All components of the bearing are split axially in two places so the bearing and the housing are fitted to the shaft radially.

Advantage:
This permits the bearing to be fitted without disturbing other components which may be mounted on that shaft between the bearing and shaft end.
2. All internal wearing surfaces of the bearing can be inspected using only a socket head screw key and without disturbing any of the components which may be mounted along the shaft.

Advantage:
Because of the ease of inspecting these wearing surfaces, it is possible to obtain the maximum life from the bearing only replacing it when it has, in fact, fatigued to a point where it can no longer be relied upon. This ability to inspect the bearing makes it possible for its replacement to be planned by observing the rate at which the bearing is fatiguing.
3. The only tools required are two sizes of socket hand screw keys, a hardwood block and hammer or resin hammer.

Advantage:
No expensive or special equipment, such as a hydraulic pump and hydraulic nuts are needed. Minimum time of assembly and disassembly is achieved.
4. Dimensionally interchangeable with SN type housing.

Advantage:
In difficult, inaccessible locations when it is necessary to replace the bearing in an SN housing, this can be achieved by replacing the whole unit with a Cooper split roller bearing without the shaft having to be lifted or the other mountings on the shaft being disturbed. This is because the base to centre line and bolt centres are the same for both types.
5. The inner race is clamped to the shaft and does not rely upon the tapered adaptor sleeve to obtain the necessary fit on the shaft.

Advantage:
The correct internal running clearance of the bearing is assured because the risk of expanding the inner race excessively and so removing the necessary diametral clearance is eliminated. Also removed is the risk of the bearing being left loose on the shaft because no longer is there a dependence on the tapered sleeve being adjusted correctly into the bearing but by simple measurement of the shaft, the correct fit is assured.
6. The expansion or floating of the shaft is accommodated within the bearing and does not rely on the outer race of the bearing sliding within the housing.

Advantage:
Excessive axial loading resulting from the resistance of the bearing to move axially within the housing is eliminated, so removing unnecessary load on the locating bearing which in turn increases its operating life.
7. The self aligning feature is provided between the OD of the Cartridge and the ID of the Pedestal ensuring uniform, consistent and so minimal clearance between the shaft and the housing.

Advantage:
The sealing of the bearing is more effective which improves the bearing life through reduced ingress of foreign matter to the bearing.
8. The bearing and shaft can be lifted away from the pedestal without exposing the bearing.

Advantage:
This sub-assembly can be removed without the bearing being exposed so that it is kept clean while work is being carried out on other parts of this sub-assembly. By keeping the bearing clean, its life is significantly extended.
9. The bearing is made up of six major components.

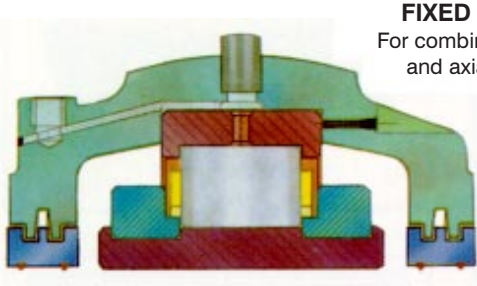
Advantage:
As each of these six components are fitted separately, the weight of the largest of these six components is much less than the solid bearing. This makes for easier handling and may completely eliminate the need for lifting tackle which would be necessary in the case of a solid bearing.
10. The position of the inner race relative to the outer race of the locating bearing is always constant.

Advantage:
By fitting Cooper bearing to a grooved portion of the shaft, it is possible to guarantee constant and precise location of the shaft relative to the framework on which the housing is mounted.

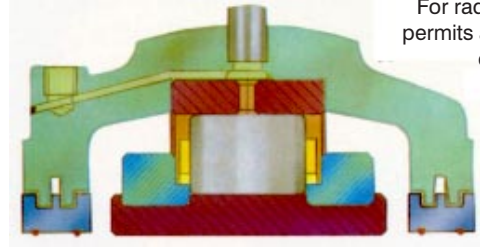
COOPER SPLIT BEARING UNITS

Split Roller Bearings Simplify Design, Reduce Assembly and Down Time

Types of Bearings



FIXED (GR)*
For combined radial and axial load

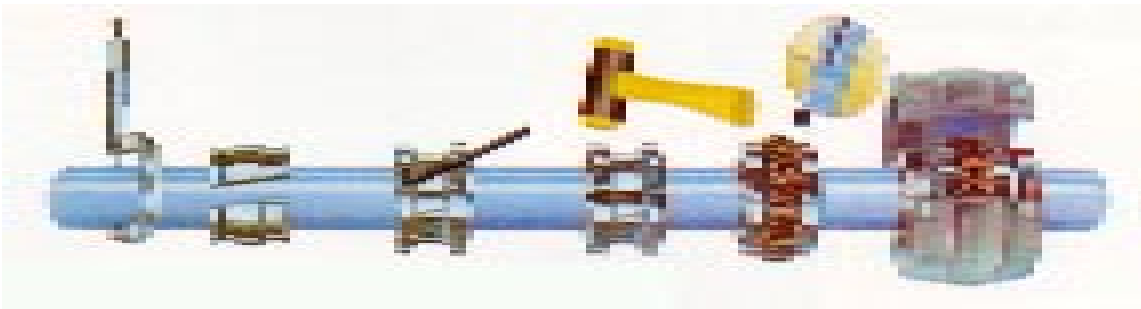


EXPANSION (EX)*
For radial loads only, permits axial movement of shaft.

Unit No. SN(SNA)	Shaft Dia. (in)	2 Bolt Hole Base	Bolt centre Identical	Shaft C. Height identical	Complete* Unit Number	Shaft Dia. (mm)	Complete Unit Number
SN509	1-1/2	YES	YES	YES	01 BCP 108	40	01 BCP 40mm
SN510	1-3/4	YES	NO + 44mm	NO + 10mm	01 BCP 112		
SN511	2	YES	YES	YES	01 BCP 200	50	01 BCP 50mm
SN513	2-1/4	YES	YES	YES	01 BCP 204	60	01 BCP 60mm
SN515	2-1/2	YES	YES	YES	01 BCP 208	65	01 BCP 65mm
SN516	2-3/4	YES	YES	YES	01 BCP 212	70	01 BCP 70mm
SN517	3	YES	YES	YES	01 BCP 300	75	01 BCP 75mm
SN518	3-1/4	YES	NO + 30mm	NO + 12mm	01 BCP 304	80	01 BCP 80mm
SN520	3-1/2	YES	YES	YES	01 BCP 308	90	01 BCP 90mm
SN522	4	YES	YES	YES	01 BCP 400	100	01 BCP 100mm
SN524	4-1/4	YES	NO + 42mm	NO + 3mm	Adaptor Necessary	110	01 BCP 110mm*
SN526	4-1/2	YES	NO + 12mm	NO - 7mm	01 BCP 408*	115	01 BCP 115mm*
SN528	5	NO -4BOLT	NO + 30mm	NO + 12mm	01 BCP 500*	125	01 BCP 125mm*
SN530	5-1/4	NO -4BOLT	NO + 32mm	NO + 21mm	Adaptor Necessary	135	01 BCP 135mm*
SN532	5-1/2	NO -4BOLT	NO + 12mm	NO + 11mm	01 BCP 508*	140	01 BCP 140mm

* ALSO AVAILABLE FOR SHAFT DIAMETERS UP TO 63 INCH, 1600 mm.

* Add suffix EX or GR to complete unit number to specify either expansion or fixed type e.g. 01BCP108 EX (expansion) or 01BCP200 GR (fixed).

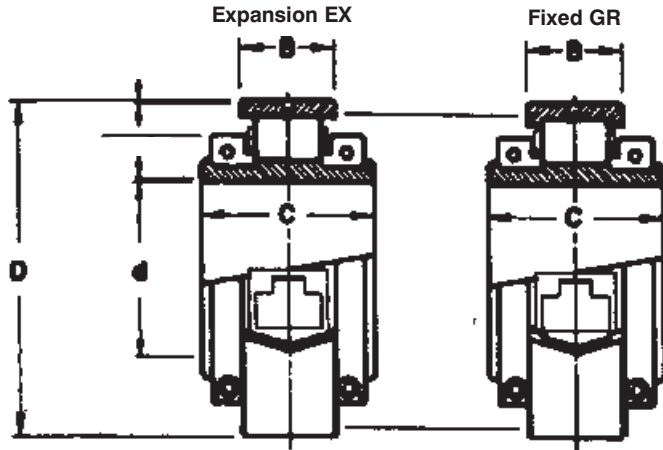


- Clean the shaft and check diameter, roundness and parallelism. Lightly oil.
- Position the matched halves of the inner race.
- Fit the clamping rings with joints at 30 degrees to the inner racejoints - tighten screws with key and pipe extension.
- Tap down the race and clamping rings using a hammer and a block - retighten screws. Repeat until all bearing parts are fully seated. Ensure a gap at both joints.
- Clip the roller cage around the inner race and coat with grease as required.
- Install the Aluminium Triple Labyrinth Seals. (NOTE: When limited access to the shaft exists, install seals first).
- Close the cartridge and tighten joint screws. Lubricate spherical seating (Molykote® 'G' paste or similar).

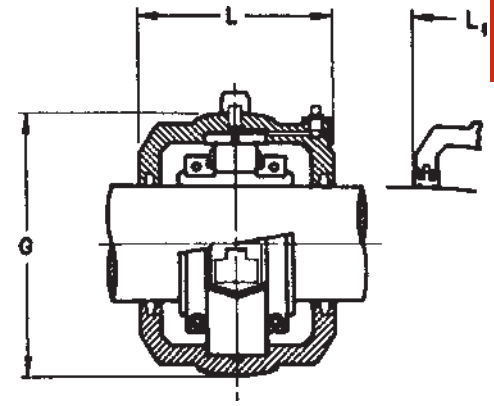
COOPER SPLIT BEARINGS

Pedestal Units Series 01 - Metric

Series 01 Bearing



Series 01 Cartridge



Reference Bearing Only	d mm	Bearing Rating kN			Max rpm	D	B	C	Wt B kg
		Dyn. C	Static Cor	Axial Ca					
01 B 40	40	65	67	3.2	5400	84.14	23.8	50.1	1.0
01 B 50	50	75	80	3.6	4630	98.42	25.4	55.7	1.5
01 B 60	60	97	110	5.4	3940	114.30	27.0	55.7	1.5
01 B 65	65								
01 B 70	70	130	157	7.6	3310	133.35	31.8	61.2	2.5
01 B 75	75								
01 B 80	80	179	226	12.4	2790	152.40	38.9	70.7	4.0
01 B 85	85								
01 B 90	90								
01 B 100	100	239	318	16.0	2340	174.62	45.3	81.0	6.0
01 B 105	105								
01 B 110	110	298	407	18.6	1970	203.20	46.9	84.9	9.0
01 B 115	115								
01 B 120	120	348	484	22.2	1740	222.25	54.0	89.7	11.0
01 B 125	125								
01 B 130	130								
01 B 135	135	386	542	25.8	1570	241.30	55.6	98.4	14.0
01 B 140	140								
01 B 150	150	420	616	29.4	1450	254.00	55.6	98.4	16.0
01 B 155	155								
01 B 160	160	475	708	33.0	1320	273.05	60.3	109	20
01 B 170	170	510	793	36.4	1220	285.75	55.5	109	23
01 B 180	180								
01 B 190	190	534	883	41.0	1070	311.15	60.3	109	25
01 B 200	200								
01 B 220	220	578	980	49.0	930	342.90	63.5	115	32
01 B 240	240	640	1170	57.8	820	374.65	66.7	122	40
01 B 260	260	725	1333	66.8	730	406.40	69.0	128	50
01 B 280	280								
01 B 300	300	762	1456	78.2	650	438.15	74.6	143	60
01 B 320	320	841	1642	89.0	590	463.55	74.6	136	72
01 B 340	340	871	1778	99.6	540	488.95	74.6	136	78
01 B 360	360	938	1929	110.4	500	520.70	76.2	140	86
01 B 380	380								
01 B 400	400	970	2076	115.6	460	546.10	76.2	140	95
01 B 420	420	992	2223	121.0	430	571.50	76.2	140	104
01 B 440	440	1029	2370	127.2	410	596.90	76.2	140	114
01 B 460	460								
01 B 480	480	1063	2433	132.6	380	628.65	81.0	144	128
01 B 500	500	1102	2593	137.8	360	654.05	80.2	168	136
01 B 530	530	1140	2755	140.6	340	692.15	81.0	168	164
01 B 560	560	1176	2916	142.4	330	717.55	81.0	168	178
01 B 600	600	1300	3311	146.8	300	774.70	84.1	172	210

Add mm and EX or GR to reference.

*160mm size can also be supplied with overall dimensions and ratings as 150mm.

Ref. 01 B 600 160mm.

*170mm size can also be supplied with overall dimensions and ratings as 160mm.

Ref. 01 B 608 170mm.

Note: Inch Shaft sizes also available Ex-Stock.

Reference Cartridge Shell Only	L	L1	G	Wt BC kg	Full Pack Grease Wt kg	PED No.
01 C 40	86		100.00	3	0.06	P01
01 C 50	98		117.48	4	0.09	P02
01 C 60	104		134.94	5	0.15	
01 C 65						P03
01 C 70	114		157.16	8	0.18	
01 C 75						P04
01 C 80	136		177.80	11	0.30	
01 C 85						
01 C 90						P05
01 C 100	134		203.20	14	0.36	
01 C 105						P06
01 C 110	142		231.78	21	0.51	
01 C 115						P07
01 C 120	156		266.70	31	0.60	
01 C 125						P08
01 C 130						
01 C 135	168		279.40	35	0.78	
01 C 140						P09
01 C 150	174		295.28	42	0.90	
01 C 155						P10
01 C 160	172	192	311.15	52	1.00	P11
01 C 170	172	200	323.85	54	1.10	
01 C 180						P12
01 C 190	172	200	358.78	66	1.40	
01 C 200						P13
01 C 220	178	216	387.35	78	1.40	P14
01 C 240	188	222	419.10	98	2.00	P15
01 C 260	204	232	454.00	120	2.00	
01 C 280						P16
01 C 300	216	248	489.00	146	2.00	P17
01 C 320	260		520.70	178	2.70	P18
01 C 340	260		546.10	195	3.00	P19
01 C 360	260		571.50	212	3.00	
01 C 380						P20
01 C 400	280		603.30	236	3.60	P21
01 C 420	292		628.70	254	4.20	P22
01 C 440	304		650.90	265	4.20	
01 C 460						P23
01 C 480	304		682.60	290	4.80	P24
01 C 500	304		717.60	328	4.80	P25
01 C 530	330		755.70	390	5.40	P26
01 C 560	336		781.10	430	5.40	P27
01 C 600	342		841.40	500	6.00	P29

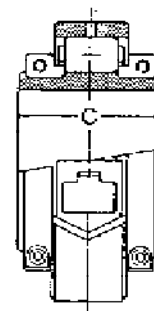
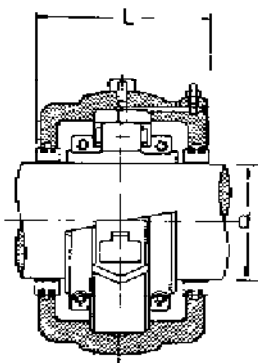
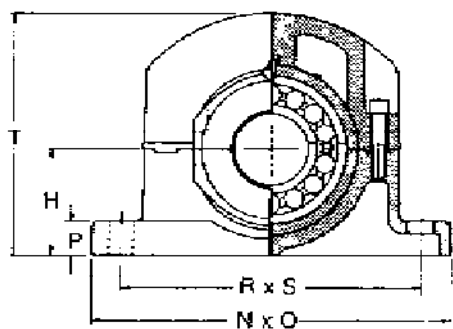
Add mm and EX or GR to reference.

*Sizes up to 160mm or 6 inch shaft diameter are normally available from stock. Larger sizes are available ex-factory.

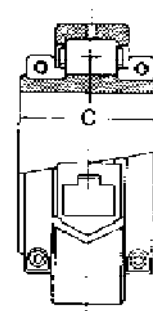
*Refer page 1.281 for sealing options.

COOPER SPLIT BEARINGS

Pedestal Units Series 01 - Imperial



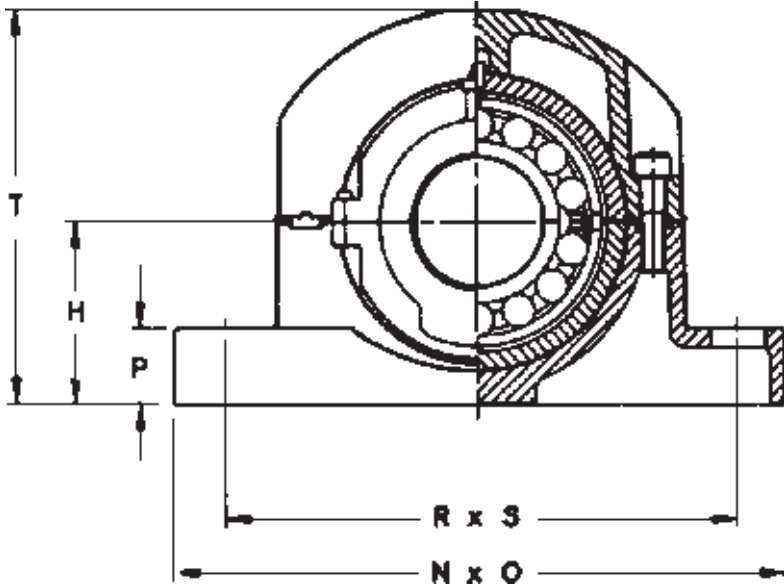
Expansion EX



Fixed GR

d inch	Reference	Bearing Rating 1000 lb				C	L	Pedestal Casting	H	N x O	P	Bolts	R x S	T	Wt lb
		Dyn. C	Static Co	Axial Ca	Max rpm										
1-1/4	01BCP104	13.2	8.7	0.35	5400	1-31/32	3-3/8	P01	2-3/8	9x2-3/8	7/8	2-1/2	7-1/8	5-1/2	12
1-1/2	01BCP108	13.2	8.7	0.35	5400	1-31/32	3-3/8	P01	2-3/8	9x2-3/8	7/8	2-1/2	7-1/8	5-1/2	12
1-3/4	01BCP112	15.3	10.2	0.40	4630	2-3/16	3-13/16	P02	2-3/4	10-5/8x2-3/8	1	2-5/8	8-7/16	6-1/4	18
2	01BCP200	15.3	10.2	0.40	4630	2-3/16	3-13/16	P02	2-3/4	10-5/8x2-3/8	1	2-5/8	8-7/16	6-1/4	18
2-1/4	01BCP204	19.8	13.8	0.60	3940	2-3/16	4-1/16	P03	3-1/8	11x2-3/4	1-1/4	2-5/8	9-1/4	7	24
2-1/2	01BCP208	19.8	13.8	0.60	3940	2-3/16	4-1/16	P03	3-1/8	11x2-3/4	1-1/4	2-5/8	9-1/4	7	24
2-3/4	01BCP212	26.6	19.5	0.85	3310	2-13/32	4-1/2	P04	3-3/4	13x3	1-1/2	2-3/4	10-5/8	8-1/8	34
3	01BCP300	26.6	19.5	0.85	3310	2-13/32	4-1/2	P04	3-3/4	13x3	1-1/2	2-3/4	10-5/8	8-1/8	34
3-1/4	01BCP304	36.6	28.6	1.40	2790	2-25/32	5-5/16	P05	4-7/16	15x3-3/8	1-3/4	2-7/8	12-5/8	10	56
3-1/2	01BCP308	36.6	28.6	1.40	2790	2-25/32	5-5/16	P05	4-7/16	15x3-3/8	1-3/4	2-7/8	12-5/8	10	56
3-3/4	01BCP312	48.7	39.0	1.80	2340	3-3/16	5-1/4	P06	4-15/16	16-1/2x4	2	2-7/8	14	11-1/8	65
4	01BCP400	48.7	39.0	1.80	2340	3-3/16	5-1/4	P06	4-15/16	16-1/2x4	2	2-7/8	14	11-1/8	65
4-1/2	01BCP408	60.8	50.8	2.10	1970	3-11/32	5-5/8	P07	2-3/8	18-3/8x4-3/4	2-3/8	2-1	15-15/16	12-3/8	92
5	01BCP500	71.0	60.0	2.50	1740	3-17/32	6-1/8	P08	6-3/8	20x7	1-1/2	4-7/8	17-3/4x4-3/4	14-3/4	168
5-1/2	01BCP508	78.9	66.9	2.90	1570	3-7/8	6-5/8	P09	7-1/8	22x7	1-5/8	4-7/8	19x4-3/4	15-7/8	192
6	01BCP600	85.8	75.3	3.30	1450	3-7/8	6-7/8	P10	7-1/8	22x7	1-5/8	4-7/8	19-1/2x4-3/4	16-1/4	213

Series 01 Pedestal



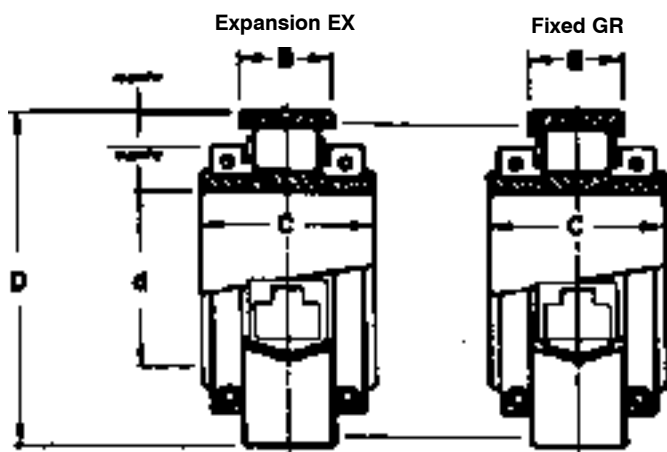
Ref. Pedestal Casting	H	Dimensions (mm)		Bolts	R x S	T	Wt BCP kg
		N x O	P				
P01	60	228 x 60	22	2-M12	180	138	5
P02	70	270 x 60	25	2-M16	214	158	8
P03	80	280 x 70	32	2-M16	234	180	11
P04	95	330 x 76	38	2-M20	270	208	16
P05	112	380 x 90	44	2-M24	320	252	26
P06	125	420 x 102	52	2-M24	354	272	30
P07	143	466 x 120	60	2-M24	392	314	42
P08	162	508 x 178	38	4-M24	450 x 120	372	76
P09	181	558 x 178	40	4-M24	482 x 120	405	87
P10	181	558 x 178	40	4-M24	496 x 120	415	97
P11	213	508 x 178	32	4-M24	368 x 114	430	113
P12	235	534 x 190	35	4-M24	388 x 128	470	123
P13	248	572 x 204	38	4-M24	422 x 140	495	154
P14	270	636 x 216	40	4-M30	460 x 140	540	190
P15	292	686 x 228	44	4-M30	502 x 140	585	240
P16	311	724 x 228	48	4-M30	534 x 140	620	286
P17	343	762 x 254	50	4-M30	584 x 178	685	340
P18	368	812 x 254	54	4-M36	622 x 178	735	386
P19	387	850 x 254	57	4-M36	654 x 166	775	430
P20	397	902 x 254	60	4-M36	676 x 166	795	500
P21	432	940 x 254	67	4-M36	724 x 166	865	545
P22	445	966 x 254	67	4-M36	756 x 166	890	570
P23	464	1042 x 280	70	4-M42	788 x 190	925	635
P24	483	1092 x 304	73	4-M42	816 x 188	965	750
P25	489	1092 x 304	76	4-M42	844 x 216	980	770
P26	553	1194 x 304	80	4-M42	904 x 206	1065	885
P27	552	1220 x 304	83	4-M42	936 x 206	1110	1000
P29	597	1372 x 304	90	8-M36	1118 & 908 x 200	1200	1220

The adjacent table shows the range of bearings available for metric and imperial shaft sizes.

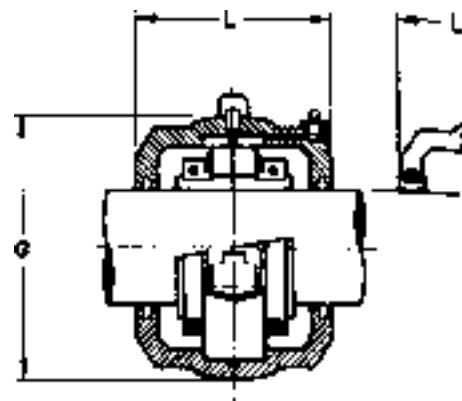
Additional sizes can be made to order. All bearings in a single group have the same overall dimensions apart from bore size.

Metric Shaft Dia. mm	REF	Imperial Shaft Dia. Inch	REF
30	30mm	1-3/16	103
35	35mm	1-1/4	104
40	40mm	1-7/16	107
		1-1/2	108
45	45mm	1-11/16	111
50	50mm	1-3/4	112
		1-15/16	115
		2	200
55	55mm	2-3/16	203
60	60mm	2-1/4	204
65	65mm	2-7/16	207
		2-1/2	208
70	70mm	2-11/16	211
75	75mm	2-3/4	212
		2-15/16	215
		3	300
80	80mm	3-3/16	303
85	85mm	3-1/4	304
90	90mm	3-7/16	307
		3-1/2	308
95	95mm	3-11/16	311
100	100mm	3-3/4	312
105	105mm	3-15/16	315
		4	400
110	110mm	4-3/16	403
115	115mm	4-1/4	404
		4-3/8	406
		4-7/16	407
		4-1/2	408
120	120mm	4-11/16	411
125	125mm	4-3/4	412
130	130mm	4-15/16	415
		5	500
135	135mm	5-3/16	503
140	140mm	5-1/4	504
		5-7/16	507
		5-1/2	508
150	150mm	5-11/16	511
155	155mm	5-3/4	512
160	600/160mm	5-7/8	514
		5-15/16	515
		6	600
160	160mm	6-7/16	607
170	608/170mm	6-1/2	608
170	170mm	6-11/16	611
175	175mm	6-3/4	612
180	180mm	6-15/16	615
		7	700
190	190mm	7-1/4	704
200	200mm	7-1/2	708
		7-15/16	715
		8	800
220	220mm	8-1/2	808
230	230mm	8-7/8	814
		9	900
240	240mm	9-1/2	908
250	250mm	9-3/4	912
260	1000/260mm	10	1000
260	260mm	10-1/2	1008
270	270mm	10-3/4	1012
280	280mm	11	1100
300	300mm	11-1/2	1108
305	305mm	12	1200
320	320mm	12-1/2	1208
330	330mm	13	1300
340	1300/340mm		
340	340mm	14	1400
350	350mm		
360	1400/360mm		
360	360mm	15	1500
380	380mm		
390	390mm	16	1600
400	400mm		
420	420mm	17	1700
440	440mm	18	1800
460	460mm		
480	480mm	19	1900
500	500mm	20	2000
530	530mm	20-1/2	2008
		21	2100
560	560mm	22	2200
		23	2300
600	600mm	24	2400

Series 02 Bearing



Series 02 Cartridge



Reference Bearing Only	d mm	Bearing Rating kN			Max rpm	D	B	C	Wt B kg
		Dyn. C	Static Cor	Axial Ca					
02 B 50	50	117	124	6.2	4350	107.95	35.0	67.5	2
02 B 60	60	165	186	8.8	3680	127.00	38.9	72.3	3
02 B 65	65								
02 B 70	70	219	262	10.6	3080	149.22	46.1	82.6	5
02 B 75	75								
02 B 80	80	278	345	17.8	2520	169.86	48.4	89.7	7
02 B 85	85								
02 B 90	90								
02 B 100	100	360	456	25.0	2130	193.68	51.6	92.1	9
02 B 110	110	447	577	31.2	1820	228.60	57.2	100.0	16
02 B 115	115								
02 B 120	120	548	714	38.2	1600	254.00	63.5	114.3	20
02 B 125	125								
02 B 130	130								
02 B 140	140	612	809	45.4	1450	273.05	66.7	117.5	24
02 B 150	150	730	1007	52.4	1320	292.10	68.3	123.8	29
02 B 160	160	769	1033	61.4	1200	317.50	83.3	140	39
02 B 170	170								
02 B 180	180	849	1191	71.2	1120	330.20	83.3	140	45
02 B 190	190	990	1457	80.0	960	368.30	90.5	156	59
02 B 200	200								
02 B 220	220	1067	1661	89.8	850	393.70	90.5	163	68
02 B 240	240	1213	1756	98.8	750	431.80	96.8	170	77
02 B 260	260								
02 B 280	280	1364	2145	113.8	670	463.55	101.6	186	86
02 B 300	300	1462	2409	129.0	610	495.30	103.2	193	123
02 B 320	320	1560	2622	144.2	550	527.05	106.4	192	150
02 B 340	340	1729	2940	159.2	500	565.15	115.9	200	182
02 B 360	360								
02 B 380	380	1822	3254	174.4	460	584.20	111.1	200	186
02 B 400	400	1909	3438	188.4	430	615.95	115.9	200	209
02 B 420	420	2013	3702	202.0	400	647.70	119.1	200	241
02 B 440	440	2138	4057	216.0	380	666.75	115.9	200	250
02 B 460	460								
02 B 480	480	2251	4419	230.0	360	698.50	119.1	223	263
02 B 500	500	2346	4776	244.0	340	717.55	115.9	226	272
02 B 530	530	2565	5137	258.0	330	762.00	119.1	229	309
02 B 560	560	2675	5556	272.0	310	793.75	122.2	233	336
02 B 600	600	2769	5992	300.0	290	838.20	119.1	214	381

Add mm and EX or GR to reference.

*160mm size can also be supplied with overall dimensions and ratings as 150mm.

Ref: 02 B600 160mm.

Note: Inch Shaft sizes also available Ex Stock.

Reference Cartridge Shell Only	L	L1	G	Wt BC kg	Full Pack Grease Wt kg	PED No.
02 C 50	114		134.94	6	0.15	P03
02 C 60	126		157.16	10	0.21	
02 C 65						P04
02 C 70	140		177.80	14	0.30	
02 C 75						P05
02 C 80	154		203.20	17	0.45	
02 C 85						P06
02 C 90						
02 C 100	146		231.78	21	0.60	P07
02 C 110	162		266.70	35	0.90	
02 C 115						P08
02 C 120	184		295.28	46	1.10	
02 C 125						P10
02 C 130						
02 C 140	188		323.85	57	1.40	P30
02 C 150	204		336.55	68	1.40	P31
02 C 160	206	232	368.3	95	1.40	
02 C 170						P32
02 C 180	222	242	381.0	111	2.00	P33
02 C 190	235	258	425.5	143	2.70	
02 C 200						P34
02 C 220	242	274	457.2	166	3.60	P35
02 C 240	248	280	495.3	182	4.20	
02 C 260						P36
02 C 280	264	300	527.1	217	4.80	P37
02 C 300	268	306	552.5	252	5.40	P38
02 C 320	298		587.4	322	6.60	P39
02 C 340	305		628.7	368	7.20	
02 C 360						P40
02 C 380	305		647.7	395	7.80	P41
02 C 400	324		685.8	463	9.00	P42
02 C 420	324		717.6	505	9.60	P43
02 C 440	324		733.4	515	9.60	
02 C 460						P44
02 C 480	338		762.0	535	10.20	P45
02 C 500	350		787.4	595	10.80	P46
02 C 530	350		831.9	660	11.40	P47
02 C 560	356		866.8	715	11.40	P48
02 C 600	388		914.4	835	12.60	P50

Add mm and EX or GR to reference.

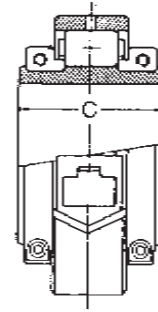
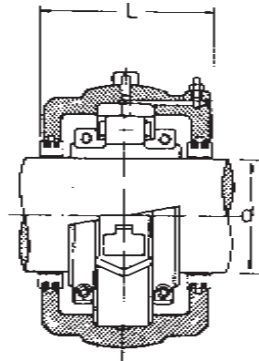
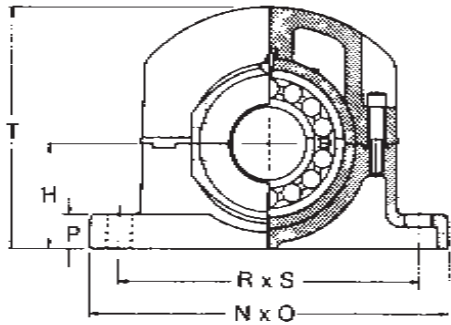
*Sizes up to 160mm or 6 inch shaft

diameter are normally available from stock. Larger sizes are available ex-factory.

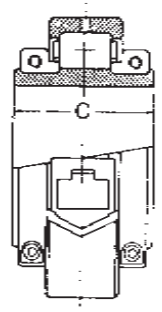
*Refer page 1.281 for sealing options.

COOPER SPLIT BEARINGS

Pedestal Units Series 02 - Imperial



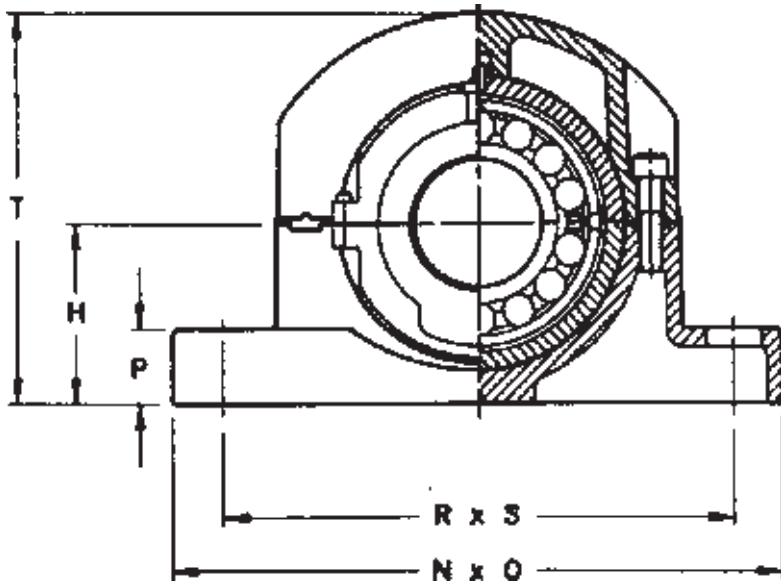
Expansion EX



Fixed GR

d inch	Reference	Bearing Rating 1000 lb				C	L	Pedestal Casting	H	N x O	P	Bolts	R x S	T	Wt lb
		Dyn. C	Static Co	Axial Ca	Max rpm										
1-3/4	02BCP112	23.8	16.2	0.7	4350	2-21/32	4-17/16	P03	3-1/8	11x2-3/4	1-1/4	2-5/8	9-1/4	7	25
2	02BCP200	23.8	16.2	0.7	4350	2-21/32	4-17/16	P03	3-1/8	11x2-3/4	1-1/4	2-5/8	9-1/4	7	25
2-1/4	02BCP204	33.7	24.6	1.0	3680	2-27-32	4-15/16	P04	3-3/4	13x3	1-1/2	2-3/4	10-5/8	8-1/8	36
2-1/2	02BCP208	33.7	24.6	1.0	3680	2-27-32	4-15/16	P04	3-3/4	13x3	1-1/2	2-3/4	10-5/8	8-1/8	36
2-3/4	02BCP212	44.8	33.5	1.2	3080	3-1/4	5-1/2	P05	4-7/16	15x3-1/2	1-3/4	2-7/8	12-5/8	10	61
3	02BCP300	44.8	33.5	1.2	3080	3-1/4	5-1/2	P05	4-7/16	15x3-1/2	1-3/4	2-7/8	12-5/8	10	61
3-1/4	02BCP304	56.8	44.2	2.0	2520	3-17/32	6-1/16	P06	4-15/16	16x4	2	2-7/8	14	11-1/8	71
3-1/2	02BCP308	56.8	44.2	2.0	2520	3-17/32	6-1/16	P06	4-15/16	16x4	2	2-7/8	14	11-1/8	71
3-3/4	02BCP312	73.6	58.4	2.8	2130	3-5/8	5-3/4	P07	5-5/8	18-3/8x4-3/4	2-3/8	2-1	15-7/16	12-3/8	92
4	02BCP400	73.6	58.4	2.8	2130	3-5/8	5-3/4	P07	5-5/8	18-3/8x4-3/4	2-3/8	2-1	15-7/16	12-3/8	92
4-1/2	02BCP408	91.3	73.2	3.5	1820	3-15/16	6-3/8	P08	6-3/8	20x7	1-1/2	4-7/8	17-3/4x4-3/4	14-3/4	176
5	02BCP500	112.0	90.9	4.3	1600	4-1/25	7-1/4	P10	7-1/8	22x7	1-3/8	4-7/8	19-1/2x4-3/4	16-1/4	222
5-1/2	02BCP508	124.9	102.4	5.1	1450	4-5/8	7-3/8	P30	8	24x7	2	4-1	21-1/2x4-3/4	18	290
6	02BCP600	149.2	126.7	5.9	1320	4-7/8	8	P31	8-1/4	25x8	2	4-1	22x5	18-1/2	340

Series 02 Pedestal



Ref. Pedestal Casting	H	N x O	P	Bolts	R x S	T	Wt BCP kg
P03	80	280 x 70	32	2-M16	234	180	12
P04	95	330 x 76	38	2-M20	270	208	18
P05	112	380 x 90	44	2-M24	320	252	29
P06	125	420 x 102	52	2-M24	354	272	33
P07	143	466 x 120	60	2-M24	392	314	42
P08	162	508 x 178	38	4-M24	450 x 120	372	80
P10	181	558 x 178	40	4-M24	496 x 120	415	101
P30	203	610 x 178	50	4-M24	546 x 120	460	132
P31	210	636 x 204	50	4-M24	558 x 128	470	154
P32	267	596 x 242	44	4-M30	448 x 172	535	209
P33	273	636 x 242	44	4-M30	458 x 166	545	245
P34	305	686 x 266	50	4-M30	508 x 190	610	331
P35	324	750 x 280	50	4-M36	550 x 190	650	390
P36	356	812 x 292	54	4-M36	596 x 204	710	454
P37	378	914 x 330	60	8-M30	736 & 534 x 254	760	545
P38	394	958 x 330	60	8-M30	768 & 566 x 254	790	625
P39	419	1016 x 292	64	8-M30	812 & 610 x 210	840	705
P40	451	1092 x 368	67	8-M36	864 & 660 x 280	900	840
P41	464	1092 x 368	67	8-M36	886 & 682 x 280	925	885
P42	495	1168 x 368	70	8-M36	934 & 730 x 280	990	1000
P43	514	1194 x 368	70	8-M36	972 & 768 x 280	1030	1090
P44	533	1244 x 368	73	8-M36	996 & 788 x 280	1070	1135
P45	552	1270 x 368	76	8-M36	1042 & 812 x 280	1110	1225
P46	572	1296 x 368	80	8-M36	1074 & 844 x 280	1145	1340
P47	591	1398 x 368	83	8-M36	1118 & 890 x 280	1180	1565
P48	616	1422 x 382	86	8-M42	1158 & 930 x 280	1230	1680
P50	673	1524 x 382	92	8-M42	1238 & 1010 x 280	1345	1885

The adjacent table shows the range of bearings available for metric and imperial shaft sizes.

Additional sizes can be made to order. All bearings in a single group have the same overall dimensions apart from bore size.

Metric mm	Shaft Dia. REF	Imperial Inch	Shaft Dia. REF
45	45mm	1-11/16	111
50	50mm	1-3/4	112
		1-15/16	115
		2	200
60	60mm	2-3/16	203
65	65mm	2-1/4	204
		2-7/16	207
		2-1/2	208
70	70mm	2-11/16	211
75	75mm	2-3/4	212
		2-15/16	215
		3	300
80	80mm	3-3/16	303
85	85mm	3-1/4	304
90	90mm	3-7/16	307
		3-1/2	308
95	95mm	3-11/16	311
100	100mm	3-3/4	312
105	105mm	3-15/16	315
		4	400
110	110mm	4-3/16	403
115	115mm	4-1/4	404
		4-7/16	407
		4-1/2	408
120	120mm	4-11/16	411
125	125mm	4-3/4	412
130	130mm	4-15/16	415
		5	500
140	140mm	5-3/16	503
145	145mm	5-1/4	504
		5-7/16	507
		5-1/2	508
150	150mm	5-11/16	511
155	155mm	5-3/4	512
160	600/160mm	5-15/16	515
		6	600
160	160mm	6-7/16	607
170	170mm	6-1/2	608
175	175mm	6-11/16	611
180	180mm	6-7/8	614
		6-15/16	615
		7	700
190	190mm	7-1/2	708
200	200mm	7-15/16	715
		8	800
220	220mm	8-1/2	808
230	230mm	9	900
240	240mm	9-1/2	908
250	250mm	10	1000
260	260mm		
280	280mm	10-1/2	1008
		11	1100
300	300mm	11-1/2	1108
		12	1200
320	320mm	13	1300
330	330mm		
340	340mm	14	1400
360	360mm		
380	380mm	15	1500
400	400mm	16	1600
420	420mm	17	1700
440	440mm	18	1800
460	460mm		
480	480mm	19	1900
500	500mm	20	2000
530	530mm	21	2100
560	560mm	22	2200
600	600mm	24	2400

Flange units provide a simple means of mounting Cooper Split roller Bearings against a vertical or horizontal face. These units embody standard swivel cartridges which may be assembled with Expansion or Fixed type bearings.

Where shafts terminate at the bearings, cartridge ends may be fitted with blanking plates or, in the case of Expansion bearings to 90mm, blanking plates with thrust bearings for one-way positioning.

The rear face of the flange is recessed for use with the spigot if required. The top halves of both flange unit and cartridge can be lifted for inspection of the rolling surfaces.

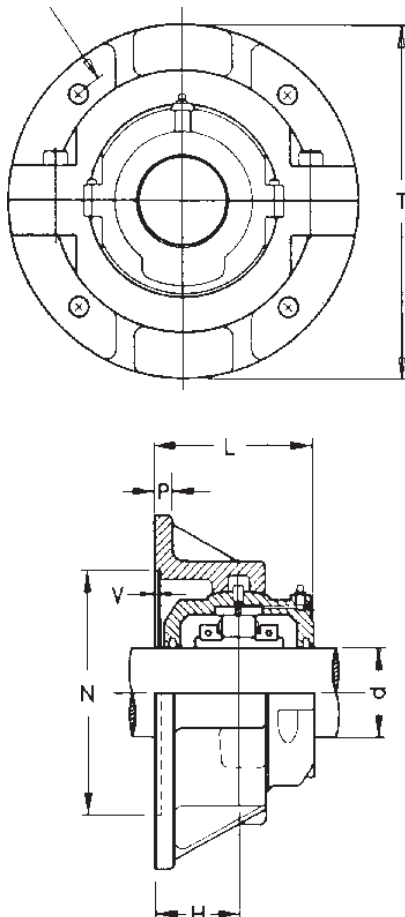
Standard cast iron flanges normally have drilled bolt holes, outer surface as cast — fit flat washer under bolt heads. Cast steel flanges normally have drilled holes, spot faced.

Tolerance f8 on spigot to fit recess N. Flanges for bearings above 300 mm bore and in Series 03 — prices and availability according to quantity.

Vertical shafts — bearings and vertical shafts may require modified construction, special seals and lubrication.

Maximum load on C.I. Flanges 0.26 **Cor** or 0.25 **Ca**. Higher loads at slow speeds and shock conditions require steel or nodular iron flanges and HT bolts. The support plate must be adequate. Please consult our Sales Department.

R pcd - holes equally spaced



Series 01

d mm	Flange Cast.	T	Bolts	R	P	H	N	V	L	Wt kg
40	F01	204	4-M12	164	13	51	119.06	3	94	8
50	F02	216	4-M12	180	13	57	136.52	3	106	11
60	F03	260	4-M12	218	16	67	166.69	3	120	15
65										
70	F04	286	4-M12	242	16	73	192.09	3	130	21
75										
80	F05	330	4-M16	274	19	79	215.90	3	148	31
85										
90										
100	F06	356	4-M16	302	19	86	244.47	3	154	37
105										
110	F07	382	4-M16	334	22	92	276.22	3	164	51
115										
120	F08	432	4-M24	374	22	98	314.32	3	176	72
125										
130										
135	F09	444	4-M24	384	25	98	317.50	3	182	72
140										
150	F10	470	4-M24	412	25	114	346.07	3	202	94
155										
160	F11	496	4-M24	426	25	105	352.42	3	202	100
170	F12	508	4-M24	438	29	108	365.12	3	208	105
180										
190	F13	534	4-M24	474	32	108	400.05	3	208	126
200										
220	F14	584	4-M30	512	35	117	431.80	3	226	148
240	F15	610	4-M30	542	35	117	463.55	3	228	168
260	F16	660	4-M30	584	38	124	504.82	3	240	215
280										
300	F17	712	4-M30	626	38	133	539.75	3	258	265

Flange housings to suit up to 160mm or 6inch shaft diameter are normally available from stock. Larger sizes are available ex factory.

Series 02

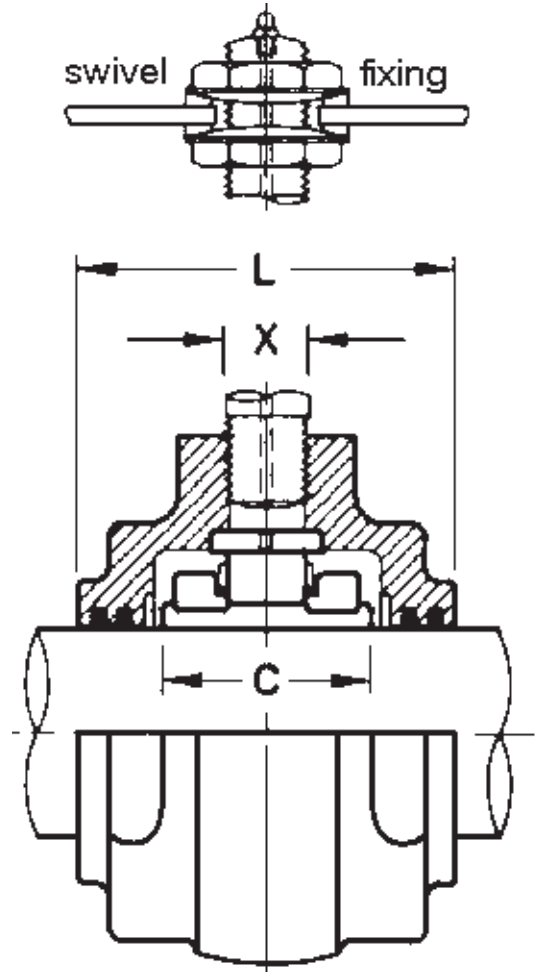
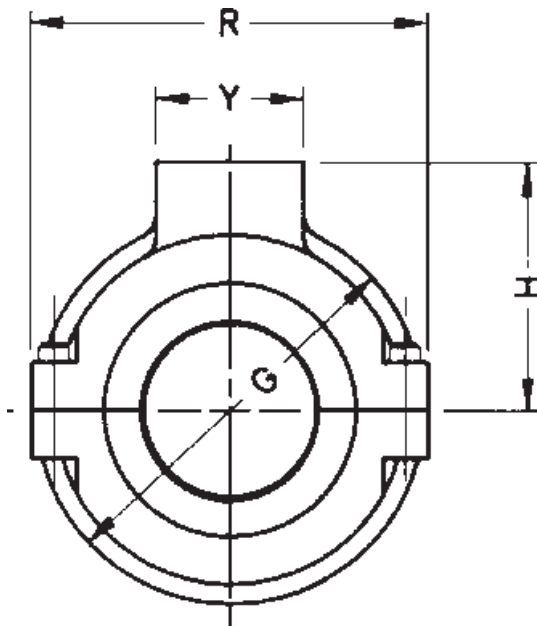
d mm	Flange Cast.	T	Bolts	R	P	H	N	V	L	Wt kg
50	F03	260	4-M12	218	16	67	166.69	3	124	15
60	F04	286	4-M12	242	16	73	192.09	3	136	22
65										
70	F05	330	4-M16	274	19	79	215.90	3	150	33
75										
80	F06	356	4-M16	302	19	86	244.47	3	164	40
85										
90										
100	F07	382	4-M16	334	22	92	276.22	3	166	51
110	F08	432	4-M24	374	22	98	314.32	3	180	75
115										
120	F10	470	4-M24	412	25	114	346.07	3	206	100
125										
130										
140	F30	508	4-M24	444	25	114	377.82	3	208	120
150	F31	534	4-M24	466	25	124	393.70	3	226	140
160	F32	584	4-M30	508	29	124	428.62	5	240	170
170										
180	F33	596	4-M30	524	32	130	444.50	5	252	210
190	F34	648	4-M30	572	32	137	492.12	5	266	290
200										
220	F35	712	4-M36	620	35	146	527.05	5	284	318
240	F36	736	4-M36	660	38	149	568.32	5	290	340
260										
280	F37	762	8-M30	682	38	159	603.25	5	310	395
300	F38	788	8-M30	708	41	162	628.65	5	316	446

Flange housings to suit up to 160mm or 6inch shaft diameter are normally available from stock. Larger sizes are available ex factory.

Hangers are a compact means of supporting the shafts of screw conveyors and similar equipment. The unit comprises a split roller bearing in a cast iron split housing with threaded boss to facilitate suspension from the conveyor cross-bracing. A swivel fixing at the cross-bracing joint is recommended to provide alignment of the bearings.

Double felt or lipped rubber seals are provided, air purge seals are also available. The aspect of sealing should be carefully considered for each application. Continuous grease feed is sometimes desirable and provision may be made through the hanger rods.

Maximum loads 0.16 Cor. Normal maximum speeds $dn = 20,000$.



d mm	Reference		Dimensions (mm)							Wt kg
	Hanger Complete	Hanger Casting	C	G	L	H	X	Y	R	
40	01 BH 40	01 H 40	50.1	100	108	66	M30	50	105	4
50	01 BH 50	01 H 50	55.7	117	108	76	M30	50	121	5
60	01 BH 60	01 H 60	55.7	135	108	82	M30	50	137	6
65	01 BH 65	01 H 65								
70	01 BH 70	01 H 70	61.2	157	130	92	M30	50	162	8
75	01 BH 75	01 H 75								
80	01 BH 80	01 H 80	70.7	178	146	114	M36	76	187	13
85	01 BH 85	01 H 85								
90	01 BH 90	01 H 90								
100	01 BH 100	01 H 100	81.0	203	152	128	M36	76	200	17
105	01 BH 105	01 H 105								
110	01 BH 110	01 H 110	84.9	232	156	140	M36	76	222	24
115	01 BH 115	01 H 115								

Sizes up to 100mm shaft diameter are normally available from stock.

Larger sizes are available ex factory.

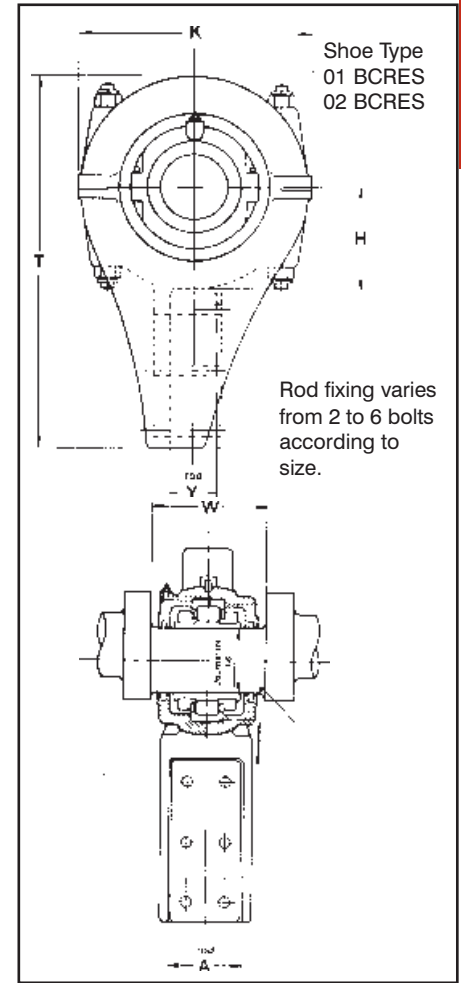
Expansion type bearings (Ex) only are applicable to hanger housings.

Note: Inch Shaft sizes also available Ex-Stock.

Add mm to Reference - e.g.: 01 BH 40mm

Series 01

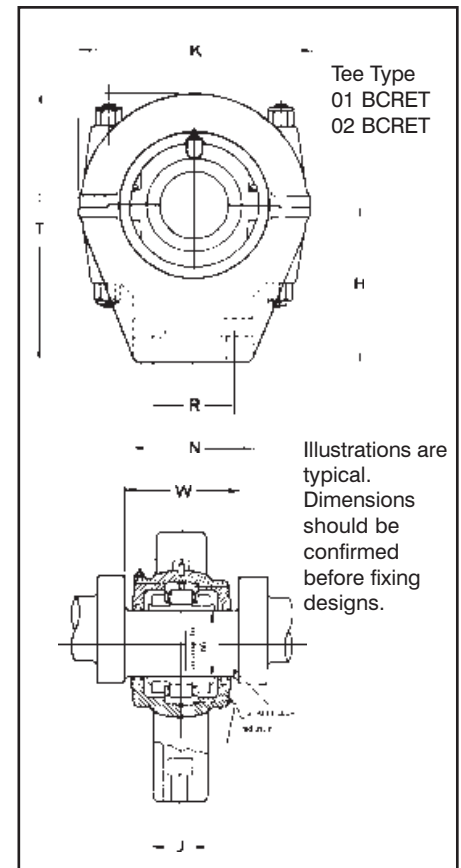
d mm	Reference		W	r	A x Y	H	K	T	Wt kg
	Rod End Complete	Rod End Casting							
40	01 BCRES 40	RES 01	92	3.0	62 x 10	65	160	258	5
50	01 BCRES 50	RES 02	104	3.0	62 x 10	70	166	308	7
60	01 BCRES 60	RES 03/2	113	4.5	62 x 10	79	190	330	13
65	01 BCRES 65	RES 03/2	113	4.5	62 x 10	79	190	330	13
70	01 BCRES 70	RES 04	126	6.0	88 x 50	108	248	432	22
75	01 BCRES 75	RES 04	126	6.0	88 x 50	108	248	432	22
80	01 BCRES 80	RES 05	148	6.0	100 x 50	133	264	602	43
85	01 BCRES 85	RES 05	148	6.0	100 x 50	133	264	602	43
90	01 BCRES 90	RES 05	148	6.0	100 x 50	133	264	602	43
100	01 BCRES 100	RES 06	146	6.0	100 x 58	125	308	572	44
105	01 BCRES 105	RES 06	146	6.0	100 x 58	125	308	572	44
110	01 BCRES 110	RES 07	154	6.0	126 x 58	149	354	618	63
115	01 BCRES 115	RES 07	154	6.0	126 x 58	149	354	618	63
120	01 BCRES 120	RES 08	168	6.0	126 x 64	158	400	654	83
125	01 BCRES 125	RES 08	168	6.0	126 x 64	158	400	654	83
130	01 BCRES 130	RES 08	168	6.0	126 x 64	158	400	654	83
135	01 BCRES 135	RES 09	187	9.5	152 x 76	177	442	696	98
140	01 BCRES 140	RES 09	187	9.5	152 x 76	177	442	696	98
150	01 BCRES 150	RES 10	193	9.5	152 x 76	177	442	696	107
155	01 BCRES 155	RES 10	193	9.5	152 x 76	177	442	696	107



d mm	Reference		W	r	N x J	H	K	T	R x Bolts	Wt kg
	Rod End Complete	Rod End Casting								
40	01 BCRET 40	RET 01	92	3.0	86 x 30	76	140	152	57 x M12*	6
50	01 BCRET 50	RET 02	104	3.0	102 x 32	102	166	190	70 x M10	8
60	01 BCRET 60	RET 03	113	4.5	115 x 38	95	198	194	76 x M16*	9
65	01 BCRET 65	RET 03	113	4.5	115 x 38	95	198	194	76 x M16*	9
70	01 BCRET 70	RET 04	126	6.0	128 x 44	108	216	220	89 x M16*	13
75	01 BCRET 75	RET 04	126	6.0	128 x 44	108	216	220	89 x M16*	13
80	01 BCRET 80	RET 05/1	148	6.0	146 x 48	127	248	256	102 x M20*	20
85	01 BCRET 85	RET 05/1	148	6.0	146 x 48	127	248	256	102 x M20*	20
90	01 BCRET 90	RET 05/1	148	6.0	146 x 48	127	248	256	102 x M20*	20
100	01 BCRET 100	RET 06	146	6.0	170 x 76	200	308	356	124 x M24	36
105	01 BCRET 105	RET 06	146	6.0	170 x 76	200	308	356	124 x M24	36
110	01 BCRET 110	RET 07/3	154	6.0	190 x 86	222	334	390	136 x M30	52
115	01 BCRET 115	RET 07/3	154	6.0	190 x 86	222	334	390	136 x M30	52
120	01 BCRET 120	RET 08	168	6.0	190 x 86	222	375	425	136 x M30	65
125	01 BCRET 125	RET 08	168	6.0	190 x 86	222	375	425	136 x M30	65
130	01 BCRET 130	RET 08	168	6.0	190 x 86	222	375	425	136 x M30	65
135	01 BCRET 135	RET 09	187	9.5	204 x 102	279	442	502	140 x M30	89
140	01 BCRET 140	RET 09	187	9.5	204 x 102	279	442	502	140 x M30	89
150	01 BCRET 150	RET 10	193	9.5	204 x 102	279	442	502	140 x M30	99
155	01 BCRET 155	RET 10	193	9.5	204 x 102	279	442	502	140 x M30	99

Add mm to reference.

*Tapped holes in end facing.



For solid crankshafts Cooper Split Roller Bearings can be simply applied. Cooper rod Ends are specially designed to form connecting units for these and other reciprocating mechanisms.

Each unit consists of a split outer casting which encloses a Grooved Race Bearing in swivel cartridge.

Normally made in cast iron, these units are available as shoe-end and tee-end types shown and can be modified to suit various rods and attachments.

When enquiring or ordering please specify type and equipment for which the Rod Ends are required, including details of duty.

Special Rod Ends with or without swivel cartridges and with reduced length on shaft are also manufactured.

Series 03 Rod Ends and other sizes — prices and availability according to quantity.

Series 02

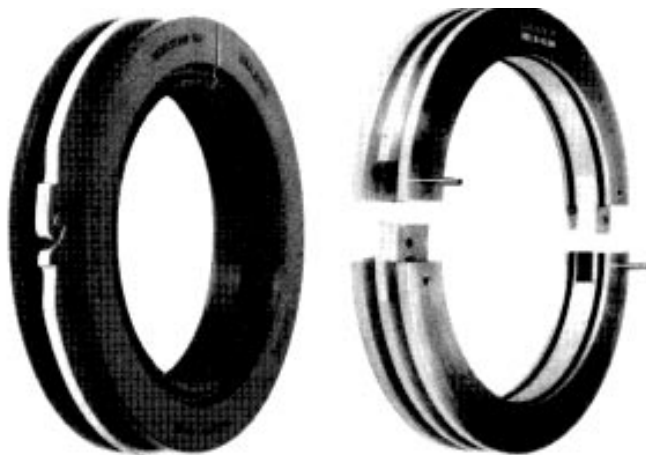
d mm	Reference		W	r	A x Y	H	K	T	Wt kg
	Rod End Complete	Rod End Casting							
50	02 BCRES 50	RES 03/1	123	4.5	62 x 32	76	190	330	10
60	02 BCRES 60	RES 04	138	6.0	88 x 50	108	248	432	20
65	02 BCRES 65	RES 04	138	6.0	88 x 50	108	248	432	20
70	02 BCRES 70	RES 05/3	152	6.0	114 x 38	130	248	540	40
75	02 BCRES 75	RES 05/3	152	6.0	114 x 38	130	248	540	40
80	02 BCRES 80	RES 06/6	173	9.5	126 x 76	149	334	610	62
85	02 BCRES 85	RES 06/6	173	9.5	126 x 76	149	334	610	62
90	02 BCRES 90	RES 06/6	173	9.5	126 x 76	149	334	610	62
100	02 BCRES 100	RES 07/3	171	12.5	126 x 76	149	354	618	71
110	02 BCRES 110	RES 08/2	187	12.5	126 x 76	162	400	654	91
115	02 BCRES 115	RES 08/2	187	12.5	126 x 76	162	400	654	91
120	02 BCRES 120	RES 10	209	12.5	152 x 76	177	442	696	124
125	02 BCRES 125	RES 10	209	12.5	152 x 76	177	442	696	124
130	02 BCRES 130	RES 10	209	12.5	152 x 76	177	442	696	124
140	02 BCRES 140	RES 30	213	12.5	152 x 76	177	442	696	145
150	02 BCRES 150	RES 31	229	12.5	152 x 64	203	444	736	166







d mm	Reference		W	r	N x J	H	K	T	R x Bolts	Wt kg
	Rod End Complete	Rod End Casting								
50	02 BCRET 50	RET 03	123	4.5	115 x 38	95	198	194	75 x M16	9
60	02 BCRET 60	RET 04	138	6.0	128 x 44	108	216	220	89 x M16	14
65	02 BCRET 65	RET 04	138	6.0	128 x 44	108	216	220	89 x M16	14
70	02 BCRET 70	RET 05/1	152	6.0	146 x 48	127	248	256	102 x M20	20
75	02 BCRET 75	RET 05/1	152	6.0	146 x 48	127	248	256	102 x M20	20
80	02 BCRET 80	RET 06	173	9.5	170 x 76	200	308	356	124 x M24	41
85	02 BCRET 85	RET 06	173	9.5	170 x 76	200	308	356	124 x M24	41
90	02 BCRET 90	RET 06	173	9.5	170 x 76	200	308	356	124 x M24	41
100	02 BCRET 100	RET 07	171	12.5	204 x 102	241	324	445	140 x M30	57
110	02 BCRET 110	RET 08/1	187	12.5	204 x 102	279	442	502	140 x M30	84
115	02 BCRET 115	RET 08/1	187	12.5	204 x 102	279	442	502	140 x M30	84
120	02 BCRET 120	RET 10	209	12.5	204 x 102	279	442	502	140 x M30	101
125	02 BCRET 125	RET 10	209	12.5	204 x 102	279	442	502	140 x M30	101
130	02 BCRET 130	RET 10	209	12.5	204 x 102	279	442	502	140 x M30	101
140	02 BCRET 140	RET 30	213	12.5	204 x 102	279	445	558	140 x M30	119
150	02 BCRET 150	RET 31	229	12.5	204 x 102	279	445	558	140 x M30	131

Cartridges to 300mm are usually supplied with a general purpose felt seal. The felt groove will also accommodate HT packing seals, lipped rubber seals or suitable blanking plates.

Triple labyrinth seals have precision non-rubbing characteristics and are readily available on request to suit the more difficult sealing environments. Note that the cartridge end profile is different from the felt groove.

For special applications seals may be made from other materials and alternative special seals can be supplied to suit specific conditions.



	Seal	Temp Max °C	Shaft Surface Texture Max Roughness μm Ra		Notes
			dn < 20,000	dn > 20000	
	Neoprene Triple Labyrinth Standard up to 100mm (4") Part No Examples: NTL 2-1/2" NTL 65 mm	100	3.2	1.6	Available for sizes up to 105mm, in neoprene rubber. The cartridge has the same basic number as the pedestal for TL seals. eg. 01C3EX
	Aluminium Triple Labyrinth O-ring Grade 1 O-ring Grade 2 Std for 100mm (4") and over Part No Examples: ATL 100mm ATL 4	100 150	3.2	1.6	Available for sizes 110-300mm with cartridge length L . Larger sizes are made to order. The cartridge has the same basic number as the pedestal for TL seals. eg. 01C6GR
	Felt (Std seal if not specified) High temp. HT packing Note: Felt supplied as part of cartridge	100 250	1.6	0.8	Available for sizes to 300mm. Maximum speeds dn=150,000. Cartridge length L The cartridge has the same basic number as the bearing. eg. 01C208EX
	Split Rubber Seal (Used in Felt Groove) Grade 1 Grade 2 Part No Examples: SRS 65 mm SRS 2-1/2"	100 175	0.8	0.4	Available for sizes to 300mm. Maximum speeds dn=150,000 Cartridge length L The cartridge has the same basic number as the bearing. eg. 01C208EX
	Grease Groove	-	-	-	Standard for sizes over 300mm and normally for Marine applications. Cartridge length L.
	Blanking Plate	-	-	-	Available for sizes to 300mm. Sizes to 90mm in Series 01 and 02 can be fitted with thrust bearings, for shaft termination.

100°C is the maximum temperature for standard bearings.

THE COOPER '22' SERIES

NEW BEARING SERIES - Fits into your existing SAF, SNH, SNA or OEM split spherical bearing housing without modification

ECONOMICAL SPLIT ROLLER BEARINGS

Cooper Bearings leads the world in the design, manufacture and application of totally split roller bearings for process industries. When replacement is necessary, Cooper users save valuable production time that otherwise would be lost by the use of standard non-split roller bearings. Simple assembly of the two halves of the Cooper unit around the shaft eliminates all special shaft machining and adaptors required with solid bearings.

WHY USE A SPLIT HOUSING AND NOT A SPLIT BEARING?

Cooper Bearings give you an alternative when replacing standard spherical roller bearings. When change out becomes necessary, you can buy the same replacement bearing or you can **use the best solution to reduce downtime problems.**

THE 22 SERIES CYLINDRICAL BEARING DESIGN

Cooper's 22 series bearings have a cylindrical bore and clamp directly onto the shaft. The inner race, outer race and roller cage assembly are axially split. The inner race is held together with removable split clamping collars and the outer race, which has a spherically machined O.D., is held together with a self aligning ring. Two types of bearings are available; an expansion (EX) and a fixed (GR). The EX type is used as a radial bearing. The GR type is used to locate shafting as well as take radial and thrust loads without the need for a stabilising ring.

OTHER BENEFITS

Ease of axial expansion

The rollers move across the I.D. of a plain, hardened and lubricated stationary outer race. The spherical bearing design requires that the entire bearing move axially to accommodate thermal expansion and contraction of the shafting. One fifth of the radial load must be applied axially to overcome the friction between the O.D. of the outer race and the bore of the housing before the shaft can expand. The life of Cooper's expansion cylindrical roller bearing is not impacted by axial loads.

Easy inspection and replacement

Now all of the components are split, inspections and replacements are carried out in the shortest period of time.

Pre set mounted radial clearance

Cooper manufactures its bearings to be mounted without the need to refer to charts because we provide factory set clearances. Proper installation of spherical roller bearings requires you to measure and set internal clearances. This step takes time and creates the opportunity for potential installation errors.

Easy to use computer selection disk

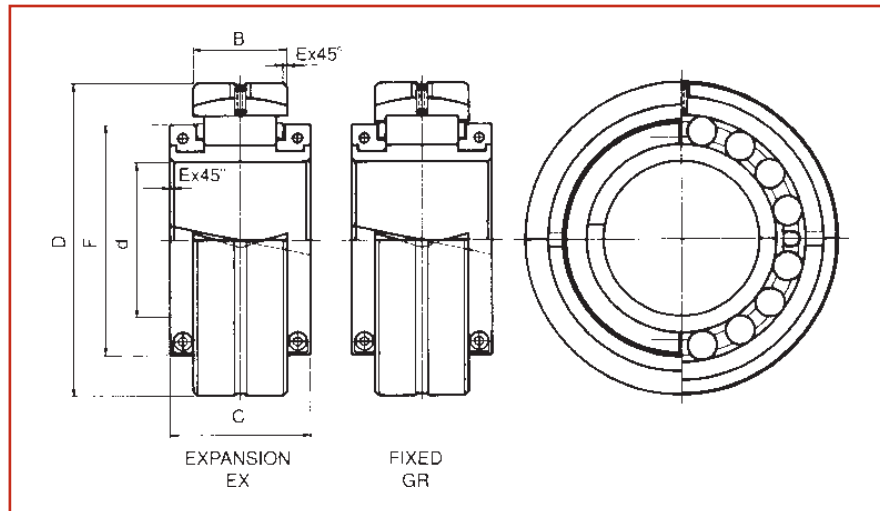
Cooper gives you a user friendly windows based selection disk to make your selection as simple as possible. Its use will ensure acceptable performance and housing fit for your intended 22 series installation.

Technical Service

Cooper has a century of manufacturing experience devoted to split bearing technology. Call your nearest BSC branch for assistance with your 22 series application. Also, ask how many other ranges of Cooper bearings can provide split solutions to solid problems.



THE COOPER '22' SERIES



Cooper Roller Bearings - 22 Series

SN-SNA Part Number	Shaft Diameter (in)	Shaft Diameter (mm)	Reference Bearing Only (in) (mm)		Dimensions (inches/mm)					
					D	B (SN/SAF)	B (SN/SNA)	C	F	Emin
SN-SNA516	2-11/16	70	22 B 211	22 B 70mm	5.51	1.67 (SN)	2.28 (SNA)	2.44	4.09	.08
SN-SNA516	2-3/4		22 B 212		140.00	42.50 (SN)	58.00 (SNA)	62.00	104.00	2.00
SN-SNA517	2-15/16	75	22 B 215	22 B 75mm	5.91	1.79 (SN)	2.40 (SNA)	2.68	4.37	.08
SN-SNA517	3		22 B 300		150.00	45.50 (SN)	61.00 (SNA)	68.00	111.00	2.00
SN-SNA518	3-3/16	80	22 B 303	22 B 80mm	6.30	1.95 (SAF)	2.56 (SN-SNA)	2.76	4.72	.08
SN-SNA518	3-1/4		22 B 304		160.00	49.50 (SAF)	65.00 (SN-SNA)	70.00	120.00	2.00
SN-SNA519		85		22 B 85mm	6.69		2.68 (SN-SNA)	2.91	5.00	.08
					170.00		68.00 (SN-SNA)	74.00	127.00	2.00
SN-SNA520	3-7/16	90	22 B 307	22 B 90mm	7.09	2.18 (SAF)	2.75 (SN-SNA)	2.99	5.20	.08
SN-SNA520	3-1/2		22 B 308		180.00	55.50 (SAF)	70.00 (SN-SNA)	76.00	132.00	2.10
SN-SNA522	3-15/16	100	22 B 315	22 B 100mm	7.87	2.46 (SAF)	3.15 (SN-SNA)	3.62	5.90	.08
SN-SNA522	4		22 B 400		200.00	62.50 (SAF)	80.00 (SN-SNA)	92.00	150.00	2.10
SN-SNA524	4-3/16	110	22 B 403	22 B 110mm	8.46	2.66 (SAF)	3.39 (SN-SNA)	3.86	6.30	.08
					215.00	67.50 (SAF)	86.00 (SN-SNA)	98.00	160.00	2.10
SN-SNA526	4-7/16	115	22 B 407	22 B 115mm	9.05	2.89 (SAF)	3.54 (SN-SNA)	4.09	6.53	.12
SN-SNA526	4-1/2		22 B 408		230.00	73.50 (SAF)	90.00 (SN-SNA)	104.00	166.00	3.00
SN-SNA528	4-15/16	125	22 B 415	22 B 125mm	9.84	3.05 (SAF)	3.86 (SN-SNA)	4.33	7.32	.12
SN-SNA528	5		22 B 500		250.00	77.50 (SAF)	98.00 (SN-SNA)	110.00	186.00	3.00

Shaft Size Range (in)	Shaft Size Range (mm)	Bearing Rating lbf/kN			Maximum Speed (rpm)
		Dynamic, C	Static, Cor	Axial, Ca	
2-11/16	70	39400	52000	1890	2600
2-3/4		175	231	8.4	
2-15/16	75	44700	63800	2020	2500
3		199	284	9.0	
3-3/16	80	50800	72700	2520	2500
3-1/4		226	323	11.2	
	85	60700	88200	2650	2400
		270	392	11.8	
3-7/16	90	64700	94000	2790	2400
3-1/2		288	418	12.4	
3-15/16	100	90600	134400	4540	1900
4		403	598	20.2	
4-3/16	110	99700	154100	5040	1800
		443	685	22.4	
4-7/16	115	125700	190200	5130	1600
4-1/2		559	846	22.8	
4-15/16	125	135600	202800	6480	1300
5		603	902	28.8	

